

TECHNICAL CHARACTERISTICS

Type	MV508		MV512		MV516		
Ordering number	02720V1		02721V1		02722V1		
Number of outputs	8		12		16		
Frequency range	SAT IF		950-2400 MHz				
	Terr. TV		47-790 MHz				
Gain (fixed slope pre-correction)	SAT IF	outputs 1-4	5 ÷ 14 dB				
		outputs 5-8	4 ÷ 12 dB				
		outputs 9-12	-	3 ÷ 10 dB			
		outputs 13-16	-				2 ÷ 8 dB
	Terr. TV	outputs 1-4	-1 ÷ 5 dB				
		outputs 5-8	-2 ÷ 3 dB				
		outputs 9-12	-	-3 ÷ 1 dB			
		outputs 13-16	-				-4 ÷ -1 dB
Gain adjustment	SAT IF		12 dB by 4 dB step				
	Terr. TV		15 dB by 1 dB step				
Output level for SAT IF (IMD3=35 dB)*		105 dB μ V					
Output level for Terr. TV (IMD3=60 dB)*	outputs 1-4	88 dB μ V	88 dB μ V	88 dB μ V			
	outputs 5-8	86 dB μ V	86 dB μ V	86 dB μ V			
	outputs 9-12	-	84 dB μ V	84 dB μ V			
	outputs 13-16	-	-	82 dB μ V			
SAT inputs decoupling		≥ 30 dB					
Outputs decoupling	SAT IF		≥ 30 dB				
	Terr. TV		≥ 35 dB				
Rejection	Terr. TV/SAT		≥ 30 dB				
	SAT/Terr. TV		≥ 40 dB				
Current consumption from receiver		< 65 mA					
Current consumption from inputs H lines or from external power supply		+18 V $\bar{\text{---}}$ 60 mA					
Control signals		14/18 V, 0/22 kHz					
Operating temperature range		-20° ÷ + 50° C					
Dimensions/Weight (packed)		187x135x30 mm/0.6 kg	227x135x30 mm/0.7 kg	267x135x30 mm/0.9 kg			

* 2 equal carriers

MULTISWITCHES MV508, MV512, MV516

v.1


PRODUCT DESCRIPTION

The multiswitches are designed for use in medium and large size SAT and terrestrial TV distribution systems. The multiswitches ensure an independent access of every subscriber to any SAT IF or terrestrial line.

The multiswitches are intended for indoor use only.
RoHS compliant.

SAFETY INSTRUCTIONS

Installation of the multiswitches must be done according local safety standards and by qualified personnel. The multiswitches are powered from the stabilized power supply +18V. This voltage is not dangerous to life.

External power supply must have a short circuit protection.

Any repairs must be done by a qualified personnel.

To avoid damaging of the multiswitch do not connect the supply voltage until all cables have been connected correctly. The multiswitch shall not be exposed to dripping or splashing water and no objects filled with liquids, such as vases, shall be placed on it.

Avoid placing the multiswitch next to central heating components and in areas of high humidity.

No naked flame sources, such as lighted candles, should be placed on multiswitch.

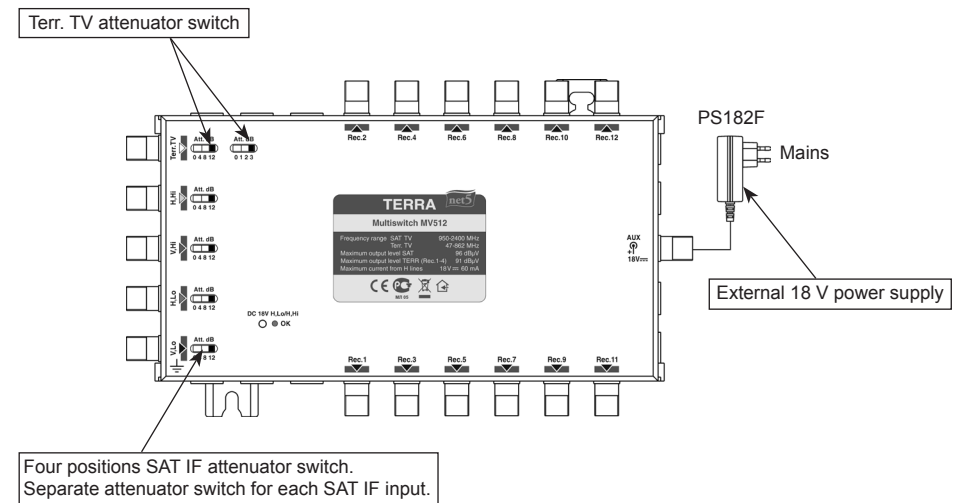
If the multiswitch has been kept in cold conditions for a long time, keep it in warm room no less than 2 hours before powering.

The ventilation should not be impeded by covering the multiswitch with items, such as newspapers, table-cloths, curtains.

Mount the multiswitch in vertical position with RF input connectors on the left side.

From top, front and bottom of installed multiswitch must be at least 5 cm free space.

This product complies with the relevant clauses of the European Directive 2002/96/EC. The unit must be recycled or discarded according to applicable local and national regulations.

EXTERNAL VIEW

OPERATING

Each SAT IF input line has a separate four positions attenuator with 0, 4, 8, 12 dB attenuation values.

Terrestrial TV input line has two four positions attenuator with 0, 4, 8, 12 dB and 0, 1, 2, 3 dB values. Total attenuation value is the sum of attenuation values of each separate attenuator. For example: first attenuator set to 4 dB, second to 1 dB. Total attenuation will be 5 dB.

Access to SAT TV lines is controlled by 14/18 V and 0/22 kHz signals, which come from subscriber's receiver through RF cable. SAT TV circuits of the multiswitch are powered from the receivers and did not need any external power supply. Terrestrial TV path is powered through horizontal polarization SAT TV lines (H, Lo; H, Hi). Horizontal polarization lines inside distribution system are powered from launch amplifier (SA51), but they can be powered from external 18 V power supply connected to rear side DC connector AUX in the case of installation of single multiswitch.