

DS-2DY3220IW-DE/DE4 (B) 2MP Network IR PTZ Camera



Hikvision DS-2DY3220IW-DE/DE4 2MP Network IR PTZ Cameras adopt 1/2.8" progressive scan CMOS chip. With the 20× optical zoom lens, the camera offers more details over expansive areas.

This series of cameras can be widely used for wide ranges of high-definition, such as the rivers, forests, roads, railways, airports, ports, squares, parks, scenic spots, stations and large venues, etc.

Key Features

- 1/2.8" Progressive Scan CMOS
- Up to 1920 × 1080 resolution
- 20× Optical Zoom, 16× Digital Zoom
- Digital WDR, 3D DNR, HLC, Smart IR
- Up to 100 m IR distance
- 12 VDC & PoE (802.3at, class4)
- Support H.265 video compression



Specification

| Camera Module | |
|--|--|
| DS-2DY3220IW-DE/DE4 2MP Network IR PTZ Camera | |
| Image Sensor | 1/2.8" progressive scan CMOS |
| Min. Illumination | Color: 0.05 Lux @(F1.6, AGC ON) B/W: 0.01 Lux @(F1.6, AGC ON) 0 Lux with IR |
| White Balance | Auto/Manual/ATW (Auto Tracking White Balance)/Indoor/Outdoor/Fluorescent Lamp/Sodium Lamp |
| AGC | Auto/Manual |
| Shutter Time | 1/1 s to 1/30,000 s |
| Day & Night | IR Cut Filter |
| Digital Zoom | 16× |
| Privacy Mask | 8 programmable privacy masks |
| Focus Mode | Auto/Semi-automatic/Manual |
| 3D DNR | Yes |
| BLC | Yes |
| Digital WDR | Yes |
| Regional Exposure | Yes |
| Regional Focus | Yes |
| Lens | |
| Focal Length | 4.7 mm to 94 mm, 20× Optical |
| Zoom Speed | Approx. 2.7 s (Optical Lens, Wide-Tele) |
| Field of View | 61.4° to 2.9° (Wide-Tele) |
| Working Distance | 10 mm to 1500mm (Wide-Tele) |
| Aperture Range | F1.6 to F3.5 |
| IR | |
| IR Distance | Up to 100 m |
| IR Intensity | Automatically adjusted, depending on the zoom ratio |
| PTZ | |
| Movement Range (Pan) | 360° endless |
| Pan Speed | Configurable, from 0.1°/s to 50°/s. Preset speed 50°/s |
| Movement Range (Tilt) | From -40° to 30° |
| Tilt Speed | Configurable, from 0.1°/s to 25°/s. Preset speed 25°/s |
| Proportional Zoom | Yes |
| Presets | 300 |
| Patrol Scan | 8 patrols, up to 32 presets for each patrol |
| Pattern Scan | 4 pattern scans, record time over 10 minutes for each scan |
| Power-off Memory: | Yes |
| Park Action | Preset/Pattern Scan/Patrol Scan/Auto Scan/Tilt Scan/Random Scan/Frame Scan/Panorama Scan |
| PTZ Position Display | ON/OFF |
| Preset Freezing | Yes |
| Scheduled Task | Preset/Pattern Scan/Patrol Scan/Auto Scan/Tilt Scan/Random Scan/Frame Scan/Panorama Scan/Dome Reboot/Dome Adjust |
| Features | |
| Smart Detection | Intrusion Detection, Line Crossing Detection, Region Exiting Detection, Region Entrance Detection |
| ROI encoding | Main stream, sub-stream and third stream respectively support two fixed areas. |

| Network | |
|--------------------------------|---|
| Max. Resolution | 1920 × 1080 |
| Main Stream | 50Hz: 25fps (1920 × 1080, 1280 × 960, 1280 × 720) 50fps (1920 × 1080, 1280 × 960, 1280 × 720) 60Hz: 30fps (1920 × 1080, 1280 × 960, 1280 × 720) 60fps (1920 × 1080, 1280 × 960, 1280 × 720) |
| Sub-Stream | 50Hz: 25fps (704 × 576, 640 × 480, 352 × 288) 60Hz: 30fps (704 × 480, 640 × 480, 352 × 240) |
| Third Stream | 50Hz: 25fps (1920 × 1080, 1280 × 960, 1280 × 720, 704 × 576, 640 × 480, 352 × 288) 60Hz: 30fps (1920 × 1080, 1280 × 960, 1280 × 720, 704 × 480, 640 × 480, 352 × 240) |
| Video Compression | Main Stream: H.265+/H.265/H.264+/H.264 Sub-Stream: H.265/H.264/MJPEG Third Stream: H.265/H.264/MJPEG H.264 with Baseline/Main/High Profile |
| Audio compression | G.711alaw/G.711ulaw/G.722.1/G.726/MP2L2/PCM |
| Protocols | IPv4/IPv6, HTTP, HTTPS, 802.1x, Qos, FTP, SMTP, UPnP, SNMP, DNS, DDNS, NTP, RTSP, RTCP, RTP, TCP/IP, DHCP, PPPoE, Bonjour |
| API | ONVIF (Profile S, Profile G, Profile T), ISAPI, SDK |
| Simultaneous Live View | Up to 20 channels |
| User/Host | Up to 32 users 3 levels: Administrator, Operator and User |
| Security Measures | User authentication (ID and PW), Host authentication (MAC address); HTTPS encryption; IEEE 802.1x port-based network access control; IP address filtering |
| System Integration | |
| Alarm Input | 1-ch alarm input |
| Alarm Output | 1-ch alarm output |
| Alarm Linkage | Alarm actions, such as Preset, Patrol Scan, Pattern Scan, Memory Card Video Record, Trigger Recording, Notify Surveillance Center, Upload to FTP/Memory Card/NAS, Send Email, etc. |
| Audio Input | 1-ch audio input |
| Audio Output | 1-ch audio output |
| Network Interface | 1 RJ45 10 M/100 M Ethernet Interface; PoE (802.3at, class4) |
| Storage | Built-in memory card slot, support Micro SD/SDHC/SDXC, up to 128 GB; NAS (NFS, SMB/ CIFS), ANR |
| Client | iVMS-4200, iVMS-4500, iVMS-5200 |
| Web Browser | IE 8 to 11, Chrome 31.0+, Firefox 30.0+, Edge 16.16299+ |
| General | |
| Language (Web Browser Access) | 32 languages. English, Russian, Estonian, Bulgarian, Hungarian, Greek, German, Italian, Czech, Slovak, French, Polish, Dutch, Portuguese, Spanish, Romanian, Danish, Swedish, Norwegian, Finnish, Croatian, Slovenian, Serbian, Turkish, Korean, Traditional Chinese, Thai, Vietnamese, Japanese, Latvian, Lithuanian, Portuguese (Brazil) |
| Power | 12 VDC, 1.6 A and PoE (802.3at), 42.5 to 57 VDC, 0.6 A, Class4 Max. 19 W, including max. 9.2W for IR |
| Working Environment | Working Temperature: Outdoor: -30°C to 65°C (-22°F to 149°F) Working Humidity: ≤ 95% |
| Protection Level | IP66 Standard; 6000V Lightning Protection, Surge Protection and Voltage Transient Protection |
| Dimensions(mm) | -DE: 367 mm × 122 mm × 242 mm (14.45" × 4.80" × 9.53") -DE4: 255 mm × 129 mm × 195 mm (10.03" × 5.08" × 7.68") |
| Weight | Approx. 3 kg (6.61 lb) |

DORI

The DORI (detect, observe, recognize, identify) distance gives the general idea of the camera ability to distinguish persons or objects within its field of view.

It is calculated based on the camera sensor specification and the criteria given by EN 62676-4: 2015.

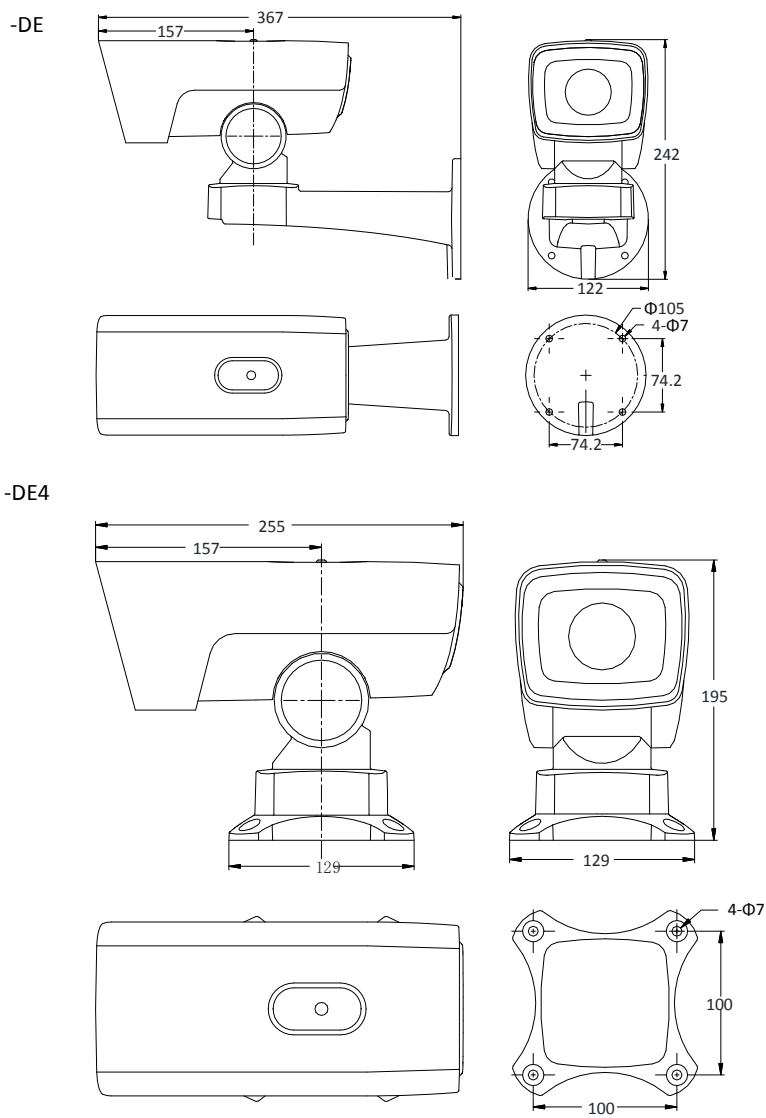
| DORI | Detect | Observe | Recognize | Identify |
|-----------------|----------------------|---------------------|--------------------|--------------------|
| Definition | 25 px/m | 63 px/m | 125 px/m | 250 px/m |
| Distance (Tele) | 1061.8 m (3483.7 ft) | 421.4 m (1382.4 ft) | 212.4 m (696.7 ft) | 106.2 m (348.4 ft) |

Order Model

DS-2DY3220IW-DE (B)

DS-2DY3220IW-DE4 (B)

Dimensions



Unit: mm

Accessory

Optional:



DS-1280ZJ-M (SPTZ)
Junction Box



DS-1281ZJ-M (SPTZ)
Inclined Base Mounting
Bracket



DS-1275ZJ (SPTZ)
Vertical Pole Mounting Bracket



LAS60-57CN-RJ45
Hi-PoE midspan



ASW0081-1220002W
Power adapter

Distributed by



HIKVISION®

Headquarters

No.555 Qianmo Road, Binjiang District,
Hangzhou 310051, China
T +86-571-8807-5998
overseasbusiness@hikvision.com

Hikvision USA
T +1-909-895-0400
sales.usa@hikvision.com

Hikvision Australia
T +61-2-8599-4233
salesau@hikvision.com

Hikvision India
T +91-22-28469900
sales@pramahikvision.com

Hikvision Canada
T +1-866-200-6690
sales.canada@hikvision.com

Hikvision Thailand
T +662-275-9949
sales.thailand@hikvision.com

Hikvision Europe
T +31-23-5542770
sales.eu@hikvision.com

Hikvision Italy
T +39-0438-6902
info.it@hikvision.com

Hikvision Brazil
T +55 11 3318-0050
Latam.support@hikvision.com

Hikvision Turkey
T +90 (216)521 7070- 7074
sales.tr@hikvision.com

Hikvision Malaysia
T +601-7652-2413
sales.my@hikvision.com

Hikvision UK & Ireland
T +01628-902140
sales.uk@hikvision.com

Hikvision South Africa
Tel: +27 (10) 0351172
sale.africa@hikvision.com

Hikvision France
T +33(0)1-85-330-450
info.fr@hikvision.com

Hikvision Kazakhstan
T +7-727-9730667
nikia.panfilov@hikvision.ru

Hikvision Vietnam
T +84-974270888
sales.vt@hikvision.com

Hikvision UAE
T +971-4-4432090
salesme@hikvision.com

Hikvision Singapore
T +65-6684-4718
sg@hikvision.com

Hikvision Spain
T +34-91-737-16-55
info.es@hikvision.com

Hikvision Tashkent
T +99-87-1238-9438
uzb@hikvision.ru

Hikvision Hong Kong
T +852-2151-1761
info.hk@hikvision.com

Hikvision Russia
T +7-495-669-67-99
saleru@hikvision.com

Hikvision Korea
T +82-(0)31-731-8817
sales.korea@hikvision.com

Hikvision Poland
T +48-22-460-01-50
info.pl@hikvision.com

Hikvision Indonesia
T +62-21-2933759
Sales.Indonesia@hikvision.com

Hikvision Colombia
sales.colombia@hikvision.com