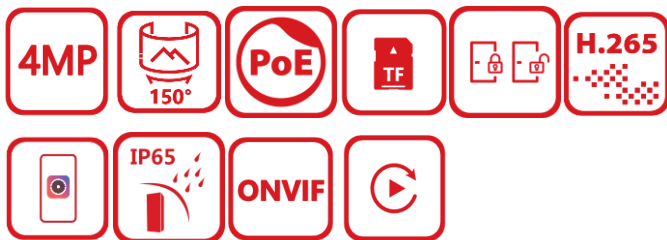


DS-KV6114-E1 IP Villa door station



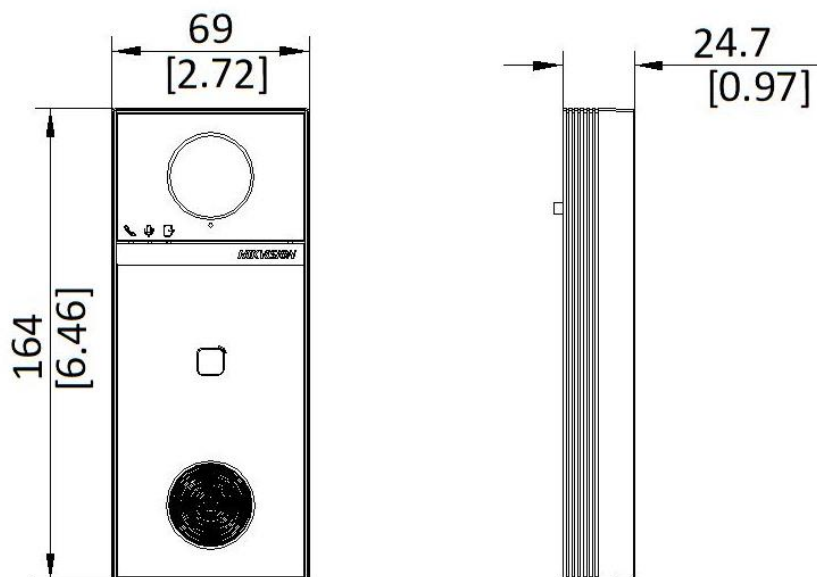
- 4MP higher resolution with 150° viewing angle
- 2 locks control
- Multiple unlocking methods: Card, Hik-Connect, indoor station
- Video recording and playback via Hik-Connect or PC web
- Standard IEEE802.3at PoE power supply

▪ Specification

System parameters	
Operation system	Linux
ROM	4 GB
RAM	512 MB
Processor	Embedded high performance processor
Video parameters	
Lens	1
Resolution	Main stream: 4MP(2688x1520P), 2MP(1920x1080P), 1MP(1280x720P) Sub stream: 2MP(1920x1080P), 1MP(1280x720P), 0.3MP(640x480P)
FOV	Horizontal: 150°; Vertical: 75°
Wide dynamic range (WDR)	Support 120 dB
Supplement light	IR light, up to 3 m
Video compression standard	H.264; H.265; MJPEG
Audio parameters	
Audio input	1 built-in omnidirectional microphone
Audio compression standard	G.711u, G.711a, Opus, AAC-LD, AAC-LC, G.726, G.722.1, G.729
Audio output	1 built-in loudspeaker
Audio compression bitrate	8~64 Kps
Audio quality	Noise suppression and echo cancellation
Volume adjustment	Adjustable
Audio Performance	50cm 80dB (Maximum: 50cm 83dB)
Audio Sample Rate	16kHz、8kHz
Capacity	
User capacity	2000
Face capacity	/
Card capacity	6000
Network parameters	
Network protocol	TCP/IP, RTSP, ipv6, onvif
Wi-Fi	/
Bluetooth	/
3G/4G	/
Wi-Fi Protocol	/
Wi-Fi Type	/
Authentication	
Authentication mode	Card, Hik-Connect, Indoor station
Card type	M1 Card
Card reading distance	M1card : 2 to 2.5 cm
Card reading frequency	13.56 MHz
Application	
Mobile APP	Hik-Connect
Motion Detection	Support
Playback	Support
Call Elevator	Support

Smart Features	Sound Classification Detection: Scream, Glass Breaking Sound, Crying Sound (Recommended Detection Distance: 3 m) , Gunshot
Device interfaces	
Alarm input	4, (include Exit button and Door contact input)
Network interface	1 RJ-45, 10/100 Mbps self-adaptive
TAMPER	1
Exit button	1
RS-485	1
USB	/
Wiegand	/
TF card	Support TF card, up to 128 G
Alarm output	/
Lock control	2 relay, Max. 30 VDC 2 A
Door contact input	1
Supported TF Format	FAT32,exFAT
General	
Button	1 physical button
Installation	Surface mounting
Indicator	3
Weight	Without package: 273 g (0.61 lb),With package: 431g (0.95 lb)
Protective level	IP65
Working temperature	-40 °C to 60 °C (-40 °F to 140 °F)
Working humidity	10% to 90% (no-condensing)
Dimension (W × H × D)	164 mm × 69 mm × 24.7 mm (6.46" × 2.72" × 0.97")
Battery	/
Application environment	Outdoor
Power consumption	< 10 W
Language	English, Arabic, European French, Russian, European Spanish, Latin American Spanish, Italian, German, Polish, Turkish, Portuguese, Brazilian Portuguese, Uzbek, Kazakh, Czech, Hungarian, Dutch, Romanian, Bulgarian, Ukrainian, Croatian, Serbian, Greek, Lithuanian, Estonian, Latvian, Norwegian, Danish, Slovenian, Slovak, Hebrew, Swedish, Finnish, Mongolian, Vietnamese, Traditional Chinese (Taiwan), Latin American Spanish
Power supply	12 VDC, 1.2 A,IEEE 802.3 at, standard PoE
Material	Front Shell and Rear Shell Material: Plastic Viewing Window Panel Material: Glass
Power Supply Output	Max. 12 VDC, 1 A

▪ Dimension



Unit: mm [inch]

SCALE	1:1
-------	-----

- Accessory
- Optional

DS-KABV6114-G	DS-KABV6114-RS	DS-KABV24-A

See Far, Go Further



www.hikvision.com
support@hikvision.com

