

Eye-Sight

This series is designed for security professionals and offers superior image quality, advanced AI analytics, seamless connectivity, and unparalleled insight and protection, with options and configurations to meet specific needs. The Check Point Quantum IoT Nano and DDA2 Analytics provide detailed attribute analysis and advanced threat prevention.



I8-340IPEN-MVF2-V5

4MP MVF Lens Bullet Camera with IR LED and DDA2 Analytics

Equipped with a 7-22mm motorized lens, this 4MP Bullet camera is designed for long-distance surveillance (up to 80m) in indoor and outdoor scenarios. The camera offers broad possibilities for Analytics, from Face Detection to the outstanding DDA Analytics (Detect, Distinguish, Alert) and the newly developed DDA2, which can perform object recognition, object counting, and investigate specifics such as age, color, gender, vehicle brand and much more. With various detection rules and triggers, the I8-340IPEN-MVF2-V5 camera is here to end false alarms. Check Point Quantum IoT Nano agent is integrated into this model. It provides an advanced threat prevention layer against the common attack vectors at runtime.



1/3 Sensor family	7-22 mm Lens	80m IR IR View 0 Lux	PoE	WDR True
Audio IN	Audio OUT	Build-In Mic	IP67 Protection rating	Alarm IN/OUT

DDA 2 ANALYTICS	Infra Red	face detection
NDA	MOTORIZED LENS	ONVIF M T S G

MAIN FEATURES

- I8-340IPEN-MVF2-V5 4MP MVF Lens Bullet Camera with IR LED and DDA2 Analytics
- Sensor: 1/3" CMOS
- Resolution: 2592x1520 20FPS (4MP)
- Lens: 7-22mm MVF with Auto Focus (43°-18°)
- True Day&Night – ICR
- Illumination: 80m (2 High-Power IR LED)
- Compression: H.265+ / H.264+ / H.265 / H.264 / MJPEG
- Quantum IoT Nano agent by Check Point™
- General Analytics: Camera Tampering
- Human & Vehicle Recognition: Sterile Area, Line Crossing, Object Counting (Line), Object Counting (Area), Loitering Detection, Illegal Parking Detection
- AI (Face Detection): 10 Faces per frame
- AI: Heatmap
- DDA2: Advanced Object Classification
- True WDR (120dB), BLC, HLC, ROI
- SD Card: Event/Schedule Record (Up to 256GB)
- Alarm in + Alarm out
- Built-in Microphone + Audio input + Audio output
- ONVIF: Profile M/T/S/G
- Water Proof: IP67
- Weight: ~1050g
- Power: DC12V/~550mA / PoE/~9W



SPECIFICATIONS

3rd Party Cyber Protection	
General	Quantum IoT Nano agent by Check Point™
Protection Methods	Shell injection protection, File Monitor, Import-Table Protection, Dynamic-Memory Protection
NDAA Compliant	
NDAA Compliant	Yes
Video	
Image Sensor	1/3" CMOS
Effective Pixels	2592×1520
Electronic Shutter	1/2s ~ 1/100000s
Day & Night	ICR
Min. Illumination	Day: 0.1lux / Night: 0.005lux (@F1.6, AGC on) 0lux with IR on
Audio	
Audio compression	G.711A/G.711U
Communication	Two-Way Audio
Image	
Image Settings	AWB, AGC Adjustable, Exposure Mode (Auto) Sharpness, Saturation, Brightness & Contrast Adjustable
Image Enhancement	True WDR (120dB), BLC, HLC, ROI
Noise Reduction	3D-DNR
Image Orientation	Mirror/Flip, Corridor Mode
Privacy Zone	Yes
Events and Analytics	
Analytics	General Analytics: Camera Tampering Human & Vehicle Recognition: Sterile Area, Line Crossing, Object Counting (Line), Object Counting (Area), Loitering Detection, Illegal Parking Detection AI (Face Detection): 10 Faces per frame AI: Heatmap DDA2: Advanced Object Classification
Motion Detection	Yes
Metadata	Human: Gender, Age, Direction, Hat, Glasses, Backpack, Upper clothing type, Upper clothing color, Lower clothing type, Lower clothing color, Skirt/Dress, Mask, Shoulderbag Car/Truck: Color, Type, Brand, Model 2-Wheel: Type

Compression	
Resolution	4MP/ 3MP / 2MP / 1MP / D1 / VGA / CIF
Frame Rate	1-25/30FPS
Video Compression	H.265+ / H.264+ / H.265 / H.264 / MJPEG**
Multi-Stream	Master Stream: 4MP(2592x1520) / 2K (2560x1440) / 3MP / 2MP / 1MP Substream: 1MP/D1/VGA/640x360/480x240/CIF Third Stream: 1MP/D1/480x240/CIF (1~30fps)
Bit Rate	64Kbps ~ 7Mbps@H.265 / 64Kbps ~ 8Mbps@H.264
Encode Mode	VBR/CBR
Image Quality	Five levels under VBR; Free adjustment under CBR

Lens	
Lens (Field of View)	7-22mm MVF with Auto Focus (43°-18°)
Iris	DC Iris
Lens Mount	Ø14 Mount
Detect	7~22mm(W): 137m(449ft) - 7~22(T): 316m(1036ft)
Recognize	7~22mm(W): 27m(89ft) - 7~22(T): 63m(207ft)
Identify	7~22mm(W): 14m(45ft) - 7~22(T): 32m(104ft)

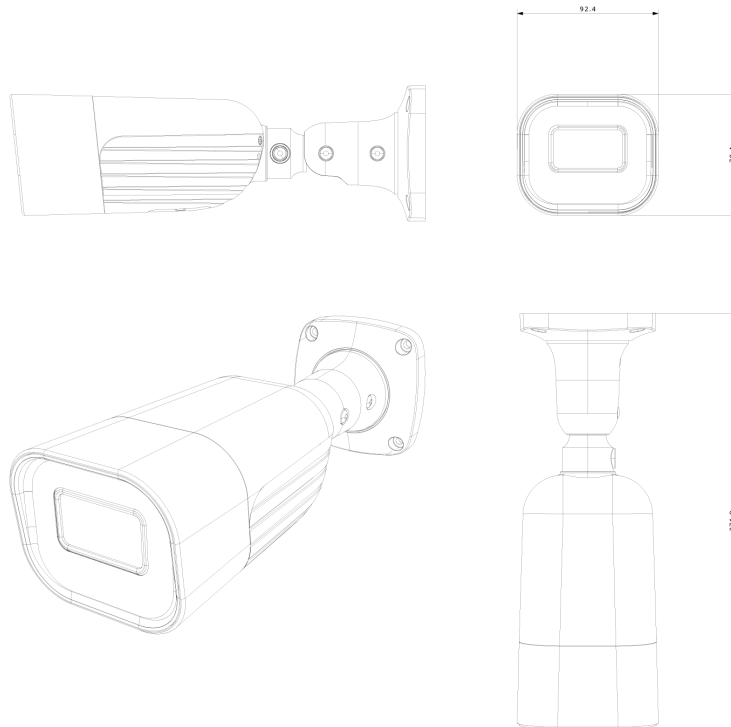
Network	
User Access	Supports simultaneous monitoring of up to 8 users with multi-stream real-time transmission
Network Protocol	IPv4, IPv6, TCP, UDP, DHCP, NTP, DDNS, SNMP, 802.1X, RTSP, RTMP, Multicast, UPnP, Email, FTP, FTPS, HTTPS, QoS, P2P, HTTP POST, Auto Report
Remote Monitoring	IE Browsing (Plug-In required), Chrome/Edge/Safari/Firefox plug-in free browsing, Ossia VMS Software, Provision Cam2 Mobile App *P2P WEB connection always requires Plugin
Ethernet	100Mbps
ONVIF	Profile M/T/S/G

Connectivity	
Network	RJ45 (+PoE)

Audio Connectivity	Built-in Microphone + Audio input + Audio output
Alarm	Alarm in + Alarm out
SD Card	Event/Schedule based Main/Substream recording (Up to 256GB)
Wiegand	N/A
Power	DC Socket
Analog Video Output	CVBS out + Technician Port

Housing	
PoE	Yes
Illumination	80m (2 High-Power IR LED)
Power Supply	DC12V/~550mA / PoE/~9W
Protection Rate	Water Proof: IP67
Work Environment	-30°C~60°C, 10%~90% Humidity
Bracket	3-Axis Bracket
Dimensions	271.8x92.4x79.4mm
Weight (gross)	~1050g
Hard Reset Button	Yes

DIMENSIONS



ACCESSORIES

