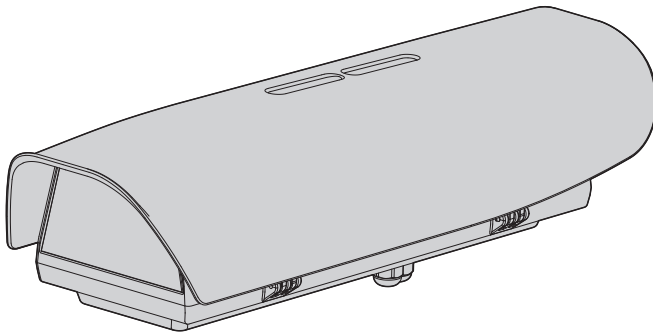




# HOV

## Side opening aluminium camera housing



**EN** English - Instructions manual

**IT** Italiano - Manuale di istruzioni

**FR** Français - Manuel d'instructions

**DE** Deutsch - Bedienungsanleitung

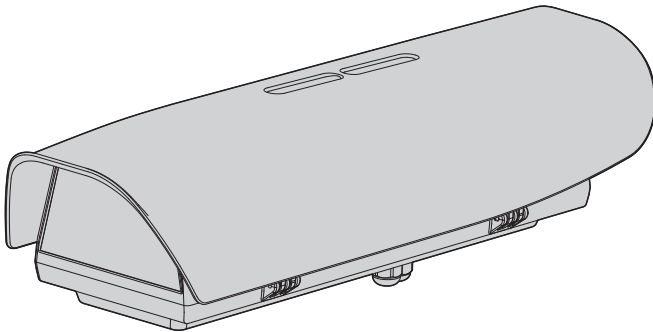
**RU** Русский - Руководство по эксплуатации





# HOV

## Side-opening aluminium camera housing





# Contents

<b>1 About this manual .....</b>	<b>4</b>
1.1 Typographical conventions.....	4
<b>2 Notes on copyright and information on trademarks.....</b>	<b>4</b>
<b>3 Safety rules.....</b>	<b>4</b>
<b>4 Identification.....</b>	<b>5</b>
4.1 Product description and type designation.....	5
4.2 Product marking .....	5
<b>5 Preparing the product for use .....</b>	<b>6</b>
5.1 Unpacking.....	6
5.2 Contents.....	6
5.3 Safely disposing of packaging material.....	6
5.4 Preparatory work before installation.....	6
5.4.1 Mounting the bracket.....	6
<b>6 Installation .....</b>	<b>7</b>
6.1 How to open the housing.....	7
6.2 How to install the camera.....	7
6.3 Board description .....	8
6.4 Connection of the power supply line.....	8
6.5 Installation of the version with double filter for air renewal.....	9
6.6 Installation of the version with wiper.....	9
6.7 Desiccant bag.....	9
<b>7 Accessories .....</b>	<b>10</b>
7.1 Heater.....	10
7.1.1 Heater installation .....	10
7.2 Camera power supply .....	10
7.2.1 Camera power supply installation.....	10
7.3 Blower .....	11
7.3.1 Blower installation.....	11
<b>8 Instructions for normal operation.....</b>	<b>12</b>
<b>9 Cleaning .....</b>	<b>12</b>
9.1 Cleaning the window and plastic parts.....	12
<b>10 Information on disposal and recycling .....</b>	<b>12</b>
<b>11 Technical data .....</b>	<b>13</b>
11.1 General.....	13
11.2 Mechanical.....	13
11.3 Electrical .....	13
11.4 Environment.....	13
11.5 Certifications.....	13
<b>12 Technical drawings .....</b>	<b>14</b>

# 1 About this manual

Read all the documentation supplied carefully before installing and using this unit. Keep the manual in a convenient place for future reference.

## 1.1 Typographical conventions



### **DANGER!**

**High level hazard.**

**Risk of electric shock. Disconnect the power supply before proceeding with any operation, unless indicated otherwise.**



### **CAUTION!**

**Medium level hazard.**

**This operation is very important for the system to function properly. Please read the procedure described very carefully and carry it out as instructed.**



### **INFO**

**Description of system specifications.**

**We recommend reading this part carefully in order to understand the subsequent stages.**

## 2 Notes on copyright and information on trademarks

The mentioned names of products or companies are trademarks or registered trademarks.

## 3 Safety rules



**CAUTION! Device installation and maintaining must be performed by specialist technical staff only.**



**CAUTION! The electrical system to which the unit is connected must be equipped with an automatic bipolar circuit breaker. The circuit breaker for main supply voltage phase units must have a level of intervention of 20A max. The circuit breaker for low voltage units must have a level of intervention of 6A max. This circuit breaker must be of the Listed type. The minimum distance between the circuit breaker contacts must be 3mm (0.1in). The circuit breaker must be provided with protection against the fault current towards the ground (differential) and the overcurrent (magnetothermal).**

- The manufacturer declines all responsibility for any damage caused by an improper use of the appliances mentioned in this manual. Furthermore, the manufacturer reserves the right to modify its contents without any prior notice. The documentation contained in this manual has been collected and verified with great care. The manufacturer, however, cannot take any liability for its use. The same thing can be said for any person or company involved in the creation and production of this manual.
- Before starting any operation, make sure the power supply is disconnected.
- Be careful not to use cables that seem worn or old.
- Never, under any circumstances, make any changes or connections that are not shown in this handbook. Improper use of the appliance can cause serious hazards, risking the safety of personnel and of the installation.
- Use only original spare parts. Non-original spare parts could cause fire, electrical discharge or other hazards.
- Before proceeding with installation, check the supplied material to make sure it corresponds to the order specification by examining the identification labels (4.2 Product marking, page 5).

- This device was designed to be permanently secured and connected on a building or on a suitable structure. The device must be permanently secured and connected before any operation.
- Comply with all the national standards during the device installation.
- Installation category (also called Overvoltage Category) specifies the level of mains voltage surges that the equipment will be subjected to. The category depends upon the location of the equipment, and on any surge voltage protection provided. Equipment in an industrial environment, directly connected to major feeders/short branch circuits, is subjected to Installation Category III. If this is the case, a reduction to Installation Category II is required. This can be achieved by use of an insulating transformer with an earthed screen between primary and secondary windings, or by fitting UL listed Surge Protective Devices (SPDs) from live to neutral and from neutral to earth. Listed SPDs shall be designed for repeated limiting of transient voltage surges and the following rated operation conditions: Type 2 (SPDs permanently connected to the power network and intended for installation on the load side of the service equipment); Nominal Discharge Current (In) 20kA min. For example: FERRAZ SHAWMUT, STT2240SPG-CN, STT2BL240SPG-CN rated 120Vac/240Vac, (In=20kA). Maximum distance between installation and reduction is 5m.
- Any device which could be installed inside the product must comply with the current safety standards.
- For all connections, use cables that are able to withstand temperatures of at least 75°C (167°F).

- A power disconnect device must be included in the electrical installation, and it must be very quickly recognizable and operated if needed.

## 4 Identification

### 4.1 Product description and type designation

Robust aluminium housing designed to simplify the installation and service, and guarantee total protection against all environmental conditions.

Its size makes it ideal for housing various combinations of standard cameras with fixed or compact zoom lenses.

Very easy to install thanks to the side-opening system that allows the full access to the camera, lenses and all internal connections.

The numerous available accessories, like heater, camera power supply, blower and air filter, wiper and washer can satisfy any installation application.

### 4.2 Product marking

See the label attached to the product.

## 5 Preparing the product for use



**Any change that is not expressly approved by the manufacturer will invalidate the guarantee.**

### 5.1 Unpacking

When the product is delivered, make sure that the package is intact and that there are no signs that it has been dropped or scratched.

If there are obvious signs of damage, contact the supplier immediately.

When returning a faulty product we recommend using the original packaging for shipping.

Keep the packaging in case you need to send the product for repairs.

### 5.2 Contents

Check the contents to make sure they correspond with the list of materials as below:

- Housing
- Housing equipment:
  - Allen wrench
  - Spacers
  - Cable glands gaskets
  - Cable glands (x3)
  - Bolts and screws
- Instruction manual
- Desiccant bag

### 5.3 Safely disposing of packaging material

The packaging material can all be recycled. The installer technician will be responsible for separating the material for disposal, and in any case for compliance with the legislation in force where the device is to be used.

### 5.4 Preparatory work before installation

#### 5.4.1 Mounting the bracket



**The product must be fastened with suitable equipment. The fastening means must guarantee mechanical sealing when a force equal to at least 4 times the weight of the device is applied.**



## 6 Installation

### 6.1 How to open the housing

Loosen the 2 screws on the side, turn the cover and the upper half of the body about the opening hinge axis.

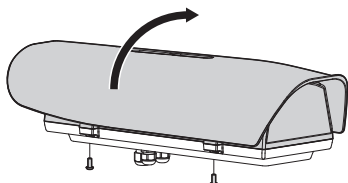


Fig. 1

**i** After installation and wiring, close the product again.

### 6.2 How to install the camera



**Power supply can be provided by the board supplied with the product. Make sure the voltage values are appropriate.**

Open the housing as described in the relative chapter (6.1 How to open the housing, page 7).

Partially loosening the fastening screws (01).

Remove the internal slide (02) by sliding it until the holes coincide with the slide fastening screws.

Fasten the camera with the 1/4" screw (03). To position the camera and lens correctly, if necessary, use the supplied spacers. (04).

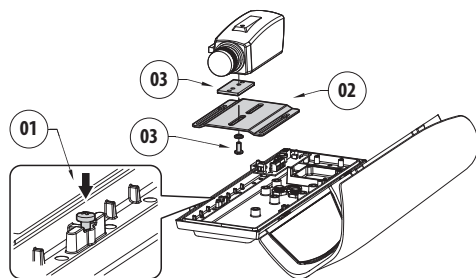


Fig. 2

Reposition the internal slide and tighten the screws that had been loosened previously.

Remove the conductors protective sheathing and connect them to terminal (J5, 6.3 Board description, page 8).

The camera's power supply cable conductors must be tied up with a cable tie next to the terminal. Keep the signalling and power supply cables separated from each other.

## 6.3 Board description

**i** The board may appear different to that illustrated.

**i** Depending on the product version, the board may not be equipped with all functions.

### BOARD DESCRIPTION

Connector	Function
J1	Power supply for the board ( $V_{IN}$ ) <sup>1</sup>
J2	Auxiliary output ( $V_{OUT}$ ) <sup>2</sup>
J3	Heater power supply ( $V_{OUT}$ )
J4	Tamper switch contacts <sup>3</sup>
J5	Camera power supply ( $V_{OUT}$ ) <sup>4</sup>
J7	Power supply connector/jumper <sup>5</sup>
J8	Fan power supply ( $V_{OUT}$ )
SW1	Tamper switch <sup>3</sup>

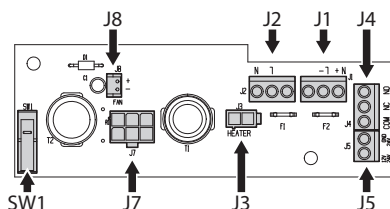
**Tab. 1** <sup>1</sup> From 100Vac a 240Vac, 24Vac o 12Vdc.

<sup>2</sup> Same voltage applied to power supply terminal of the board (J1).

<sup>3</sup> Optional.

<sup>4</sup> Different alternatives are available depending on the version.  $V_{OUT} = 12Vdc$  o  $V_{OUT} = 24Vac$ , in relation to the type of power supply installed (7.2.1 Camera power supply installation, page 10).  $V_{OUT} = V_{IN}$ , only for housings powered in 12Vdc or 24Vac, with jumper inserted (J7).

<sup>5</sup> To install a power supply in 12Vdc or 24Vac refer to the relative chapter (7.2.1 Camera power supply installation, page 10).



**Fig. 3**

**i** Nominal section of the cables used: from 0.2mm<sup>2</sup> up to 2.5mm<sup>2</sup>.

## 6.4 Connection of the power supply line

**!** **CAUTION!** The type of cable used must be compatible with the planned use. Comply with the national regulations in force on electrical installation.

**!** Connect the safety earth to the relative terminal of the J1 connector.

**!** Earth cable should be about 10mm longer than the other two, so that it will not be disconnected accidentally if pulled.

Insert the cables inside the housing using the cable glands. The cable glands are suitable for conductors with diameters of between 5mm and 10mm. The section of the cable inside the housing must be sufficiently long to allow connection. Suitably lock the cable glands.

Remove the conductors protective sheathing and connect them to terminal (J1, 6.3 Board description, page 8).

## 6.5 Installation of the version with double filter for air renewal

**i** During installation pay attention to the orientation of the air inlet filter fins.

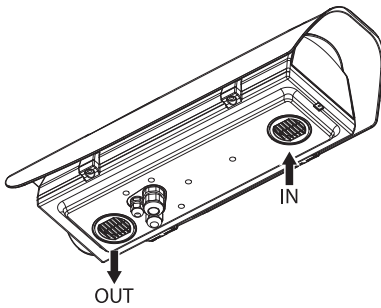


Fig. 4

Depending on the angle of inclination of the housing, the orientation of the filter fins must prevent water penetrating in case of rain:

To guarantee weatherproof protection, install the housing on the support following the inclination limits as shown in the picture.

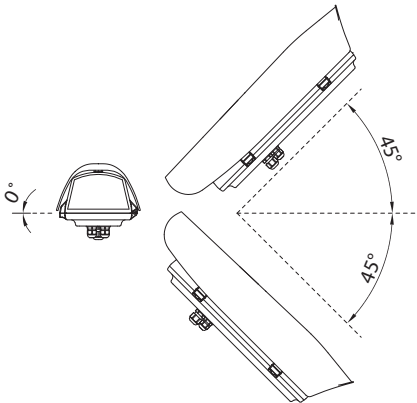


Fig. 5 Maximum tilt of the transversal axis: 0°.  
Maximum tilt of the longitudinal axis:  $\pm 45^\circ$ .

## 6.6 Installation of the version with wiper

Open the housing as described in the relative chapter (6.1 How to open the housing, page 7).

Identify the terminal of the wiper board.

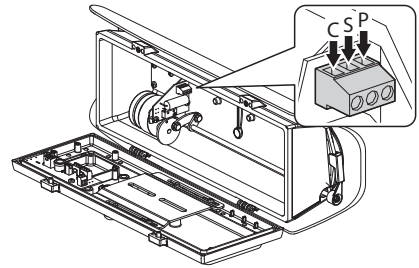


Fig. 6

Connect the wiper board to the power supply mains as shown in the figure.

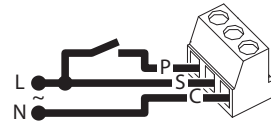


Fig. 7

**i** Nominal section of the cables used: from  $0.2\text{mm}^2$  up to  $2.5\text{mm}^2$ .

Pressing the button activates the wiper. When the button is released the wiper blade will return to the rest position.

If you have a receiver with the Wiper control function, connect the SW, PER and COM terminals respectively to terminals S, P and C of the board.

## 6.7 Desiccant bag

Take the desiccant salt bag out of its pack and insert it into the product.

## 7 Accessories



For further details on configuration and use, refer to the relative manual.

### 7.1 Heater

#### 7.1.1 Heater installation

Open the housing as described in the relative chapter (6.1 How to open the housing, page 7).

Fix the heater kit to the prearranged points on the body of the housing.

The pre-wired heating element (01) should be positioned between the 2 dissipators (02) before attachment to ensure contact and hence guarantee correct heat transmission.

Pass the heating wiring under the slide to fix the camera.

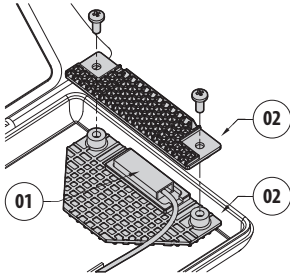


Fig. 8

At the end of installation, connect the wiring to the terminal (power supply connector, 6.3 Board description, page 8).

Reposition the internal slide and tighten the screws that had been loosened previously.

## 7.2 Camera power supply

### 7.2.1 Camera power supply installation



Not usable in housings with wiper device installed.



Pay attention to the voltage used to power the circuit. Depending on requirements use the correct power supply kit.

Usable power supplies:

- IN from 100Vac up to 240Vac, 50/60Hz - OUT 12Vdc, 1.25A
- IN 230Vac, 50Hz - OUT 24Vac, 50Hz, 400mA

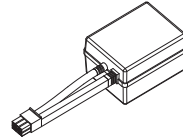


Fig. 9 Camera power supply.

Open the housing as described in the relative chapter (6.1 How to open the housing, page 7).

Fix the support bracket (02) using the screw (01). Place the power supply (03) on the support bracket. Secure it all with the screws (04) and the corner fixing bracket (5).

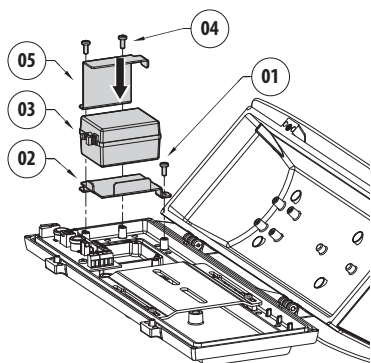


Fig. 10

Plug the multipolar female connector into the corresponding male connector (J7, 6.3 Board description, page 8).

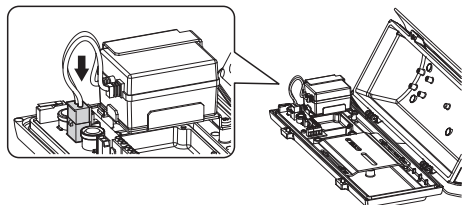


Fig. 11

## 7.3 Blower

### 7.3.1 Blower installation

**⚠ Not usable in versions with double filter for air renewal and wiper.**

**⚠ Pay attention to the voltage used to power the circuit. Depending on requirements use the correct power supply kit.**

**⚠ The blower kit should be assembled according to the instructions to ensure a correct air circulation inside the housing.**

Open the housing as described in the relative chapter (6.1 How to open the housing, page 7).

Fix the blower using the corner bracket and screws.

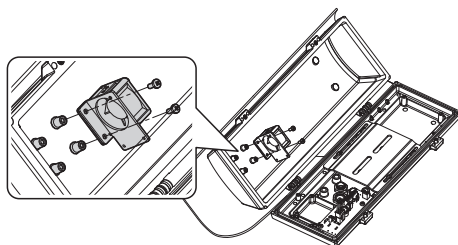


Fig. 12

Plug the multipolar female connector into the corresponding male connector (J8, 6.3 Board description, page 8).

## 8 Instructions for normal operation



**Do not use the wiper if the outside temperature is below 0°C or in case of ice.**

## 9 Cleaning

### 9.1 Cleaning the window and plastic parts



**Avoid ethyl alcohol, solvents, hydrogenated hydrocarbide, strong acid and alkali. Such products may irreparably damage the surface.**

We recommend using a soft cloth with neutral soap diluted with water or specific products to clean the glasses lenses.

## 10 Information on disposal and recycling

The European Directive 2012/19/EU on Waste Electrical and Electronic Equipment (WEEE) mandates that these devices should not be disposed of in the normal flow of municipal solid waste, but they should be collected separately in order to optimize the recovery stream and recycling of the materials that they contain and to reduce the impact on human health and the environment due to the presence of potentially hazardous substances.



**The symbol of the crossed out bin is marked on all products to remember this.**

The waste may be delivered to appropriate collection centers, or may be delivered free of charge to the distributor where you purchased the equipment at the time of purchase of a new equivalent or without obligation to a new purchase for equipment with size smaller than 25cm .

For more information on proper disposal of these devices, you can contact the responsible public service.

# 11 Technical data

## 11.1 General

Constructed from aluminium

Sunshield in ABS

Epoxy polyester powder painting, RAL9002 colour

Stainless steel external screws

## 11.2 Mechanical

Internal usable area (WxH): 100x70mm (3.9x2.7in)

Internal usable length (with or without accessories): 250mm (9.8in)

Cable glands: 3xM16

Glass window extra clear

- Dimensions (WxH): 118x75mm (4.6x2.7in)

Unit weight: 3kg (6.6lb)

## 11.3 Electrical

Supply voltage/Current consumption (empty version):

- From 12Vdc up to 24Vdc, 1A max
- From 12Vac up to 24Vac, 1A max, 50/60Hz
- From 120Vac up to 230Vac, 400mA max, 50/60Hz

Supply voltage/Current consumption (version with heater, Ton 15°C±3°C (59°F ±5°F), Toff 22°C±3°C (72°F±5°F)):

- From 12Vdc up to 24Vdc, 3A max
- From 12Vac up to 24Vac, 3A max, 50/60Hz
- From 120Vac up to 230Vac, 400mA max, 50/60Hz

Supply voltage/Current consumption (version with heater fan assistant, continuous duty):

- 12Vdc, 400mA max
- 24Vac, 200mA max, 50/60Hz

Power supply/Current consumption

- From 100Vac up to 240Vac, 40mA max, 50/60Hz (with wide-range power supply)

Supply voltage/Current consumption (version with blower and thermostat for models with double filter for air renewal, Ton 35°C±3°C (95°F±5°F), Toff 20°C±3°C (71°F±5°F)):

- 12Vdc, 400mA max
- 24Vac, 200mA max, 50/60Hz
- 120Vac, 0.37A max, 50/60Hz
- 230Vac, 0.19A max, 50/60Hz

Supply voltage/Current consumption (version with integrated wiper):

- 24Vac, 1.85A max, 50/60Hz
- 230Vac, 40mA max, 50/60Hz

Camera power supply:

- IN from 100Vac up to 240Vac, 50/60Hz - OUT 12Vdc, 1.25A
- IN 230Vac, 50Hz - OUT 24Vac, 50Hz, 400mA

## 11.4 Environment

For installation indoors and outdoors

Operating temperature (with heater): from -20°C (-4°F) up to +65°C (149°F)

## 11.5 Certifications

Electrical safety (CE): EN60950-1, IEC60950-1

Electromagnetic compatibility (CE): EN50130-4, EN61000-6-3, EN55032 Class B, FCC Part. 15 Class B, ICES-003 Class B (with wiper: EN61000-6-4, EN55032 Class A, FCC Part. 15 Class A, ICES-003 Class A)

Outdoor installation (CE): EN60950-22, IEC 60950-22

IP protection degree (EN60529):

- IP66/IP67 (with cable glands)
- IP66/IP67 (with bracket with internal cable channel, with sealing rings)
- IP55 (with bracket with internal cable channel)
- IP44 (with double filter for air renewal)

IK protection degree (EN62262):

- for models HOV32K1A084, HOV32K2A084: IK10 protection degree
- for all the other models: IK10 protection degree (except for the front glass)

Salty fog resistance: to 1000 hours (ISO9227)

UL certification: cULus Listed, TYPE 4X (except for versions with double filter for the air exchange, HOV32K1A018, HOV32K2A016, HOV32K2A017, HOV32K2A147, and the version with wiper 230Vac, HOV32K1A100)

EAC certification

# 12 Technical drawings



The dimensions of the drawings are in millimetres.

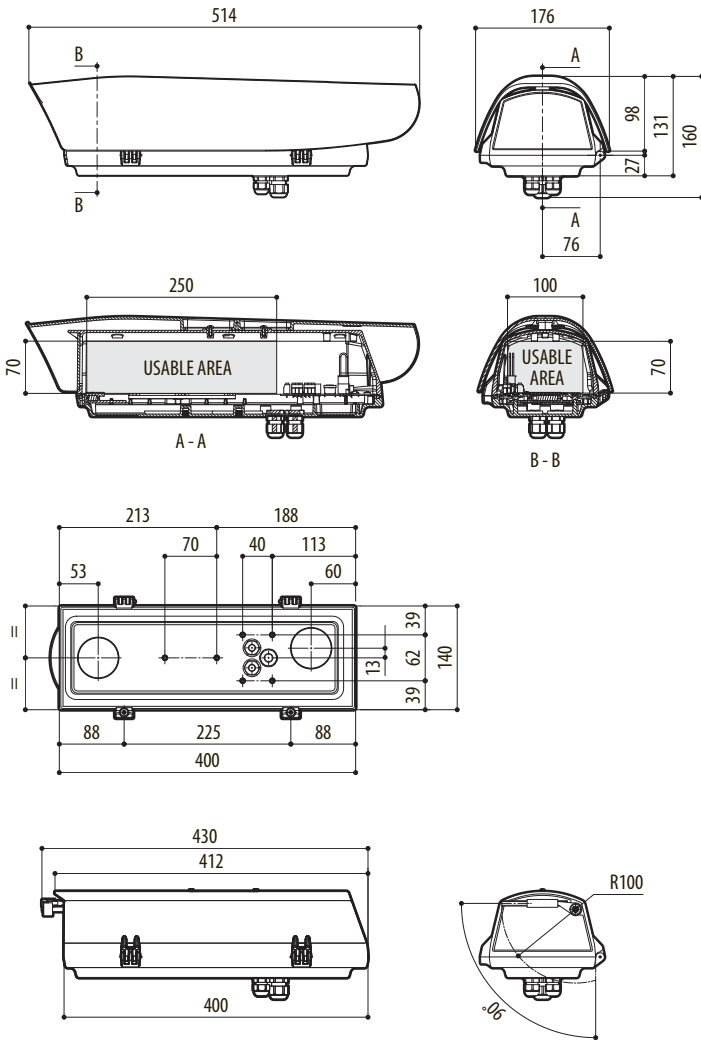


Fig. 13 HOV.





**Headquarters Italy** Videotec S.p.A.  
Via Friuli, 6 - I-36015 Schio (VI) - Italy  
Tel. +39 0445 697411 - Fax +39 0445 697414  
Email: [info@videotec.com](mailto:info@videotec.com)

**Asia Pacific** Videotec (HK) Ltd  
Flat 8, 19/F. On Dak Industrial Building, No. 2-6 Wah Sing Street  
Kwai Chung, New Territories - Hong Kong  
Tel. +852 2333 0601 - Fax +852 2311 0026  
Email: [info.hk@videotec.com](mailto:info.hk@videotec.com)

**France** Videotec France SARL  
Immeuble Le Montreal, 19bis Avenue du Québec, ZA de Courtaboeuf  
91140 Villebon sur Yvette - France  
Tel. +33 1 60491816 - Fax +33 1 69284736  
Email: [info.fr@videotec.com](mailto:info.fr@videotec.com)

**Americas** Videotec Security, Inc.  
Gateway Industrial Park, 35 Gateway Drive, Suite 100  
Plattsburgh, NY 12901 - U.S.A.  
Tel. +1 518 825 0020 - Fax +1 518 825 0022  
Email: [info.usa@videotec.com](mailto:info.usa@videotec.com)



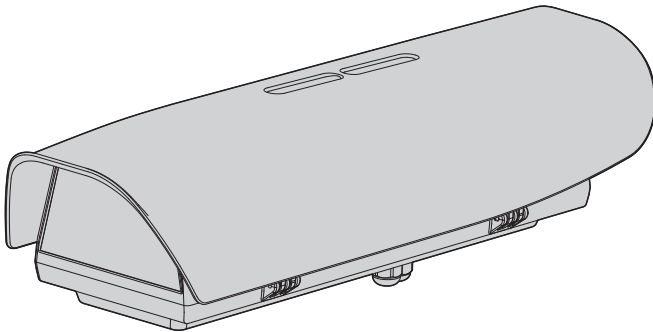
[www.videotec.com](http://www.videotec.com)

**MNVCHOV32\_1744\_EN**



# HOV

**Custodia per telecamera in alluminio ad apertura laterale**





# Sommario

<b>1 Informazioni sul presente manuale .....</b>	<b>4</b>
1.1 Convenzioni tipografiche .....	4
<b>2 Note sul copyright e informazioni sui marchi commerciali.....</b>	<b>4</b>
<b>3 Norme di sicurezza .....</b>	<b>4</b>
<b>4 Identificazione .....</b>	<b>5</b>
4.1 Descrizione e designazione del prodotto.....	5
4.2 Marcatura del prodotto .....	5
<b>5 Preparazione del prodotto per l'utilizzo.....</b>	<b>6</b>
5.1 Disimballaggio.....	6
5.2 Contenuto .....	6
5.3 Smaltimento in sicurezza dei materiali di imballaggio.....	6
5.4 Lavoro preparatorio prima dell'installazione.....	6
5.4.1 Fissaggio del supporto .....	6
<b>6 Installazione.....</b>	<b>7</b>
6.1 Apertura della custodia .....	7
6.2 Installazione della telecamera.....	7
6.3 Descrizione della scheda.....	8
6.4 Collegamento della linea di alimentazione.....	8
6.5 Installazione della versione con doppio filtro per ricambio dell'aria.....	9
6.6 Installazione della versione con tergcristallo .....	9
6.7 Sacchetto disidratante.....	9
<b>7 Accessori.....</b>	<b>10</b>
7.1 Riscaldamento .....	10
7.1.1 Installazione del riscaldamento.....	10
7.2 Alimentatore per telecamera .....	10
7.2.1 Installazione dell'alimentatore per telecamera .....	10
7.3 Ventilatore .....	11
7.3.1 Installazione del ventilatore .....	11
<b>8 Istruzioni di funzionamento ordinario .....</b>	<b>12</b>
<b>9 Pulizia .....</b>	<b>12</b>
9.1 Pulizia della finestra e delle parti in plastica .....	12
<b>10 Informazioni sullo smaltimento e il riciclo .....</b>	<b>12</b>
<b>11 Dati tecnici .....</b>	<b>13</b>
11.1 Generale .....	13
11.2 Meccanica .....	13
11.3 Elettrico.....	13
11.4 Ambiente.....	13
11.5 Certificazioni .....	13
<b>12 Disegni tecnici .....</b>	<b>14</b>

# 1 Informazioni sul presente manuale

Prima di installare e utilizzare questa unità, leggere attentamente tutta la documentazione fornita. Tenere il manuale a portata di mano per consultazioni successive.

## 1.1 Convenzioni tipografiche



### PERICOLO!

**Pericolosità elevata.**

**Rischio di scosse elettriche. Prima di eseguire qualsiasi operazione assicurarsi di togliere tensione al prodotto, salvo diversa indicazione.**



### ATTENZIONE!

**Pericolosità media.**

**L'operazione è molto importante per il corretto funzionamento del sistema. Si prega di leggere attentamente la procedura indicata e di eseguirla secondo le modalità previste.**



### INFO

**Descrizione delle caratteristiche del sistema.**

**Si consiglia di leggere attentamente per comprendere le fasi successive.**

## 2 Note sul copyright e informazioni sui marchi commerciali

I nomi di prodotto o di aziende citati sono marchi commerciali o marchi commerciali registrati appartenenti alle rispettive società.

## 3 Norme di sicurezza



**ATTENZIONE! L'installazione e la manutenzione del dispositivo deve essere eseguita solo da personale tecnico specializzato.**



**ATTENZIONE! L'impianto elettrico al quale è collegata l'unità deve essere dotato di un interruttore di protezione bipolare automatico. L'interruttore per le unità a tensione di rete deve avere un livello di intervento di 20A max. L'interruttore per le unità a bassa tensione deve avere un livello di intervento di 6A max. Tale interruttore deve essere di tipo Listed. La distanza minima tra i contatti dell'interruttore di protezione deve essere di 3mm. L'interruttore deve essere provvisto di protezione contro la corrente di guasto verso terra (differenziale) e la sovracorrente (magnetotermico).**

- Il produttore declina ogni responsabilità per eventuali danni derivanti da un uso improprio delle apparecchiature menzionate in questo manuale. Si riserva inoltre il diritto di modificarne il contenuto senza preavviso. Ogni cura è stata posta nella raccolta e nella verifica della documentazione contenuta in questo manuale. Il produttore, tuttavia, non può assumersi alcuna responsabilità derivante dall'utilizzo della stessa. Lo stesso dicasi per ogni persona o società coinvolta nella creazione e nella produzione di questo manuale.
- Prima di eseguire qualsiasi operazione assicurarsi di togliere tensione al prodotto.
- Non utilizzare cavi con segni di usura o invecchiamento.
- Non effettuare per nessun motivo alterazioni o collegamenti non previsti in questo manuale. L'uso di apparecchi non idonei può portare a gravi pericoli per la sicurezza del personale e dell'impianto.
- Utilizzare solo parti di ricambio originali. Pezzi di ricambio non originali potrebbero causare incendi, scariche elettriche o altri pericoli.
- Prima di procedere con l'installazione, controllare che il materiale fornito corrisponda alle specifiche richieste esaminando le etichette di marcatura (4.2 Marcatura del prodotto, pagina 5).

- Questo dispositivo è stato progettato per essere fissato e collegato in maniera permanente su un edificio o su una struttura adeguata. Il dispositivo deve essere fissato e collegato in maniera permanente prima di effettuare qualsiasi operazione.
- Si devono rispettare le normative nazionali per l'installazione del dispositivo.
- La categoria di installazione (detta anche categoria di sovratensione) specifica i livelli della tensione transitoria di rete alla quale l'apparato è soggetto. La categoria dipende dal luogo di installazione e dalla presenza di dispositivi di protezione contro le sovratensioni. Un dispositivo per ambienti industriali, connesso ai rami principali dell'impianto di alimentazione è soggetto alla categoria di installazione III. Se questo è il caso, è richiesta una riduzione alla categoria II. Ciò può essere ottenuto utilizzando un trasformatore di isolamento con schermatura connessa a terra tra il primario ed il secondario, o tramite l'impiego di dispositivi di protezione contro le sovratensioni (SPD), UL listed, connessi tra la fase ed il neutro e tra il neutro e terra. I dispositivi SPD UL listed, dovranno essere predisposti per limitare sovratensioni transitorie in modo ripetitivo e per le seguenti condizioni nominali di funzionamento: Tipo 2 (Dispositivi SPD connessi permanentemente alla rete di alimentazione, per installazioni dal lato del carico del dispositivo di servizio); Corrente nominale di scarica (In) 20kA minimi. Si possono utilizzare ad esempio: FERRAZ SHAWMUT, ST23401PG-CN, ST240SPG-CN specificati per 120Vac/240Vac, (In=20kA). La distanza massima tra l'installazione e la riduzione è di 5m.
- Ogni dispositivo che può essere installato all'interno del prodotto deve essere conforme alle norme di sicurezza attuali.
- Per tutte le connessioni, utilizzare cavi idonei a sopportare temperature di almeno 75°C.

- L'impianto elettrico deve essere dotato di un sezionatore di rete prontamente riconoscibile e utilizzabile in caso di necessità.

## 4 Identificazione

### 4.1 Descrizione e designazione del prodotto

Robusta custodia in alluminio progettata per semplificare l'installazione ed il servizio e garantire una protezione totale a tutte le condizioni ambientali.

Le sue dimensioni la rendono adatta ad alloggiare svariate combinazioni di telecamere standard con ottiche fisse o zoom compatti.

Estremamente semplice da installare, l'apertura laterale facilita ampiamente l'accesso alla telecamera, alle ottiche e a tutte le connessioni interne.

I numerosi accessori disponibili, come il riscaldamento, il ventilatore e i filtri, l'alimentatore per telecamera, il tergicristallo, soddisfano inoltre ogni richiesta di impiego.

### 4.2 Marcatura del prodotto

Vedere l'etichetta posta sul prodotto.

## 5 Preparazione del prodotto per l'utilizzo

---



**Qualsiasi intervento non espressamente approvato dal costruttore fa decadere la garanzia.**

---

### 5.1 Disimballaggio

Alla consegna del prodotto verificare che l'imballo sia integro e non presenti segni evidenti di cadute o abrasioni.

In caso di danni evidenti all'imballo contattare immediatamente il fornitore.

In caso di restituzione del prodotto malfunzionante è consigliato l'utilizzo dell'imballaggio originale per il trasporto.

Conservare l'imballo qualora fosse necessario inviare il prodotto in riparazione.

### 5.2 Contenuto

Controllare che il contenuto sia corrispondente alla lista del materiale sotto elencata:

- Custodia
- Dotazione per custodia:
  - Chiave esagonale
  - Distanziali
  - Guarnizioni per pressacavi
  - Pressacavi (x3)
  - Viteria
- Manuale di istruzioni
- Sacchetto disidratante

### 5.3 Smaltimento in sicurezza dei materiali di imballaggio

I materiali d'imballo sono costituiti interamente da materiale riciclabile. Sarà cura del tecnico installatore smaltirli secondo le modalità di raccolta differenziata o comunque secondo le norme vigenti nel Paese di utilizzo.

### 5.4 Lavoro preparatorio prima dell'installazione

#### 5.4.1 Fissaggio del supporto

---



**Il prodotto deve essere fissato con mezzi adeguati. I mezzi di fissaggio devono garantire la tenuta meccanica applicando una forza pari almeno a 4 volte il peso complessivo dell'apparecchiatura.**

---



## 6 Installazione

### 6.1 Apertura della custodia

Svitare le 2 viti poste sul fianco, far ruotare tettuccio e corpo superiore attorno all'asse delle cerniere di apertura.

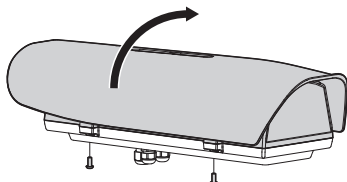


Fig. 1

**i** Al termine delle operazioni di installazione e cablaggio richiudere il prodotto.

### 6.2 Installazione della telecamera



**L'alimentazione può essere fornita dalla scheda in dotazione al prodotto. Accertarsi che i valori di tensione siano adeguati.**

Aprire la custodia come descritto nel relativo capitolo (6.1 Apertura della custodia, pagina 7).

Svitare parzialmente le viti di fissaggio (01).

Rimuovere la slitta interna (02) facendola scorrere fino a fare coincidere i fori con le viti di fissaggio.

Fissare la telecamera con la vite da 1/4" (03). Per collocare nel modo corretto la telecamera e l'ottica, se necessario, utilizzare i distanziali in dotazione (04).

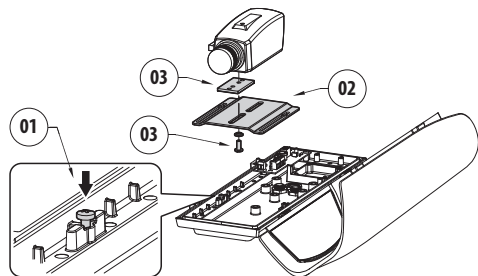


Fig. 2

Riposizionare la slitta interna serrando le viti precedentemente allentate.

Togliere la guaina di protezione dei conduttori e collegarli al morsetto (J5, 6.3 Descrizione della scheda, pagina 8).

I conduttori del cavo di alimentazione della telecamera devono essere fissati tra loro con una fascetta in prossimità del morsetto. Tenere separati i cavi di alimentazione da quelli di segnale.

## 6.3 Descrizione della scheda

**i** L'aspetto della scheda potrebbe differire da quello illustrato.

**i** La scheda, a seconda della versione del prodotto, potrebbe non essere dotata di tutte le funzionalità.

### DESCRIZIONE DELLA SCHEDA

Connettore	Funzione
J1	Alimentazione della scheda ( $V_{IN}$ ) <sup>1</sup>
J2	Uscita ausiliaria ( $V_{OUT}$ ) <sup>2</sup>
J3	Alimentazione del riscaldamento ( $V_{OUT}$ )
J4	Contatti dello switch antiapertura <sup>3</sup>
J5	Alimentazione della telecamera ( $V_{OUT}$ ) <sup>4</sup>
J7	Connettore per alimentatore/ponticello <sup>5</sup>
J8	Alimentazione del ventilatore ( $V_{OUT}$ )
SW1	Switch antiapertura <sup>3</sup>

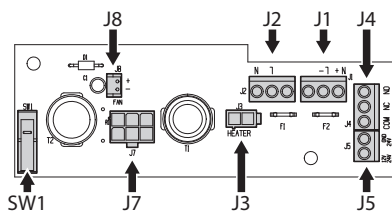
**Tab. 1** <sup>1</sup> Da 100Vac a 240Vac, 24Vac o 12Vdc.

<sup>2</sup> Stessa tensione applicata al morsetto di alimentazione della scheda (J1).

<sup>3</sup> Opzionale.

<sup>4</sup> Sono possibili diverse alternative a seconda della versione.  $V_{OUT} = 12Vdc$  o  $V_{OUT} = 24Vac$ , in relazione al tipo di alimentatore installato (7.2.1 Installazione dell'alimentatore per telecamera, pagina 10).  $V_{OUT} = V_{IN}$ , solo per custodie alimentate in 12Vdc o 24Vac, con ponticello inserito (J7).

<sup>5</sup> Per installare un alimentatore in 12Vdc o 24Vac fare riferimento al relativo capitolo (7.2.1 Installazione dell'alimentatore per telecamera, pagina 10).



**Fig. 3**

**i** Sezione nominale dei cavi utilizzabili: da  $0.2mm^2$  fino a  $2.5mm^2$ .

## 6.4 Collegamento della linea di alimentazione

**!** **ATTENZIONE!** La tipologia di cavo utilizzata deve essere compatibile con l'impiego previsto. Attenersi alle regole nazionali in vigore riguardanti le installazioni elettriche.

**!** Collegare la terra di sicurezza al relativo morsetto del connettore J1.

**!** Il cavo di terra deve essere più lungo degli altri due di circa 10mm per prevenirne il distacco accidentale a causa dello stiramento.

Introdurre i cavi all'interno della custodia attraverso i pressacavi. I pressacavi sono adatti per conduttori con diametro compreso tra 5mm e 10mm. Il tratto di cavo all'interno della custodia deve essere sufficientemente lungo da permettere il collegamento. Serrare opportunamente i pressacavi.

Togliere la guaina di protezione dei conduttori e collegarli al morsetto (J1, 6.3 Descrizione della scheda, pagina 8).

## 6.5 Installazione della versione con doppio filtro per ricambio dell'aria

**i** Durante l'installazione prestare attenzione all'orientamento delle alette del filtro di ingresso dell'aria.

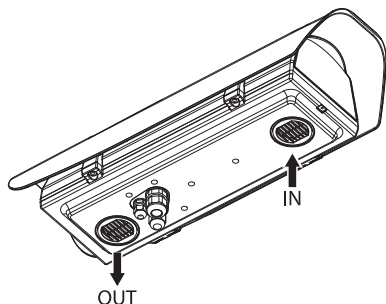


Fig. 4

A seconda dell'angolo di inclinazione della custodia, l'orientamento delle alette del filtro deve prevenire la penetrazione di acqua in caso di pioggia.

Al fine di garantire il grado di protezione, installare la custodia al supporto rispettando i limiti di inclinazione riportati in figura.

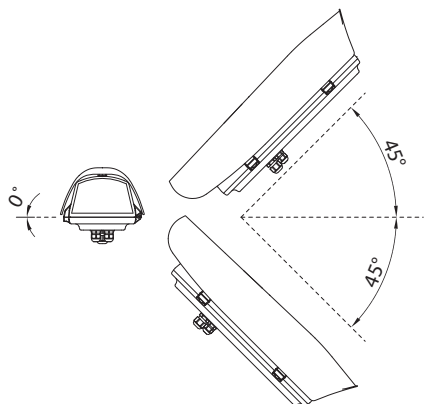


Fig. 5 Massima inclinazione dell'asse trasversale: 0°.  
Massima inclinazione dell'asse longitudinale:  $\pm 45^\circ$ .

## 6.6 Installazione della versione con tergicristallo

Aprire la custodia come descritto nel relativo capitolo (6.1 Apertura della custodia, pagina 7).

Individuare il morsetto della scheda tergicristallo.

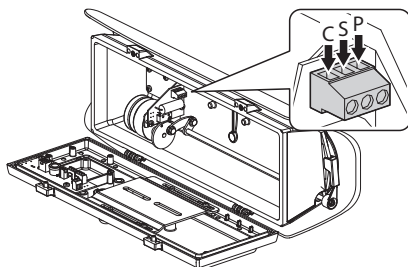


Fig. 6

Collegare la scheda del tergicristallo alla rete di alimentazione come illustrato in figura.



Fig. 7

**i** Sezione nominale dei cavi utilizzabili: da  $0.2\text{mm}^2$  fino a  $2.5\text{mm}^2$ .

Premendo il pulsante si attiva il tergicristallo. Rilasciando il pulsante la spazzola del tergicristallo si porta in posizione di riposo.

Nel caso si disponga di un ricevitore con funzione di comando Wiper, collegare i morsetti SW, PER e COM rispettivamente ai terminali S, P e C della scheda.

## 6.7 Sacchetto disidratante

Estrarre il sacchetto disidratante dalla confezione e inserirlo nel prodotto.

## 7 Accessori



Per ulteriori dettagli sulla configurazione e l'utilizzo fare riferimento al manuale del relativo accessorio.

### 7.1 Riscaldamento

#### 7.1.1 Installazione del riscaldamento

Aprire la custodia come descritto nel relativo capitolo (6.1 Apertura della custodia, pagina 7).

Fissare il kit di riscaldamento nei punti predisposti sul corpo custodia.

La resistenza precablata (01) deve essere interposta fra i 2 dissipatori (02) prima del fissaggio per garantirne il contatto e assicurare in questo modo una corretta trasmissione del calore.

Passare il cablaggio del riscaldamento sotto alla slitta per il fissaggio della telecamera.

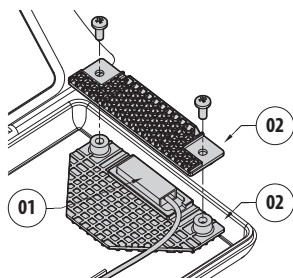


Fig. 8

Terminata l'installazione, collegare il cablaggio al morsetto (connettore per alimentatore, 6.3 Descrizione della scheda, pagina 8).

Riposizionare la slitta interna serrando le viti precedentemente allentate.

## 7.2 Alimentatore per telecamera

### 7.2.1 Installazione dell'alimentatore per telecamera



**Non utilizzabile nelle custodie munite di sistema tergcristallo.**



**Prestare attenzione al valore di tensione utilizzato per alimentare il circuito. A seconda delle esigenze utilizzare il kit di alimentazione corretto.**

Alimentatori utilizzabili:

- IN da 100Vac fino a 240Vac, 50/60Hz - OUT 12Vdc, 1.25A
- IN 230Vac, 50Hz - OUT 24Vac, 50Hz, 400mA

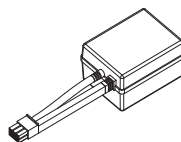


Fig. 9 Alimentatore per telecamera.

Aprire la custodia come descritto nel relativo capitolo (6.1 Apertura della custodia, pagina 7).

Utilizzando la vite (01) fissare la staffa di appoggio (02). Posizionare l'alimentatore (03) sulla staffa di appoggio. Fissare il tutto con le viti (04) e la staffa di fissaggio ad angolo (05).

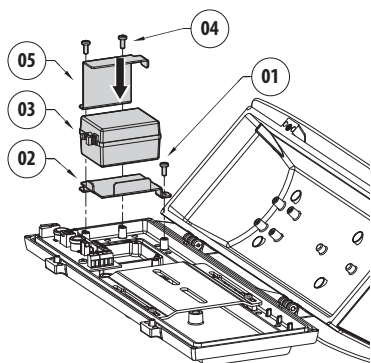


Fig. 10

Inserire il connettore femmina multipolare nel corrispondente connettore maschio (J7, 6.3 Descrizione della scheda, pagina 8).

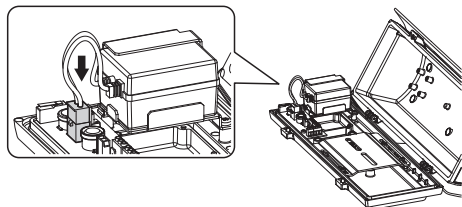


Fig. 11

## 7.3 Ventilatore

### 7.3.1 Installazione del ventilatore

**⚠ Non utilizzabile nelle versioni con doppio filtro per il ricambio dell'aria e tergicristallo.**

**⚠ Prestare attenzione al valore di tensione utilizzato per alimentare il circuito. A seconda delle esigenze utilizzare il kit di alimentazione corretto.**

**⚠ Il ventilatore deve essere montato come da istruzioni per garantire una corretta circolazione dell'aria all'interno della custodia.**

Aprire la custodia come descritto nel relativo capitolo (6.1 Apertura della custodia, pagina 7).

Fissare il ventilatore tramite la staffetta angolare in dotazione utilizzando le viti.

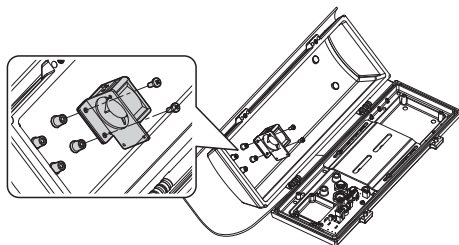


Fig. 12

Inserire il connettore femmina multipolare nel corrispondente connettore maschio (J8, 6.3 Descrizione della scheda, pagina 8).

## 8 Istruzioni di funzionamento ordinario



**Non utilizzare il tergicristallo se la temperatura esterna è inferiore a 0°C o in presenza di ghiaccio.**

## 9 Pulizia

### 9.1 Pulizia della finestra e delle parti in plastica



**Evitare alcool etilico, solventi, idrocarburi idrogenati, acidi forti e alcali. L'utilizzo di detti prodotti danneggia in modo irreparabile la superficie trattata.**

Si consiglia di utilizzare un panno morbido con sapone neutro diluito con acqua o prodotti specifici per la pulizia delle lenti degli occhiali.

## 10 Informazioni sullo smaltimento e il riciclo

La Direttiva Europea 2012/19/UE sui Rifiuti di Apparecchiature Elettriche ed Elettroniche (RAEE) prevede che questi apparecchi non debbano essere smaltiti nel normale flusso dei rifiuti solidi urbani, ma che vengano raccolti separatamente per ottimizzare il flusso di recupero e riciclaggio dei materiali che li compongono ed impedire potenziali danni per la salute e per l'ambiente dovuti alla presenza di sostanze potenzialmente pericolose.



**Il simbolo del bidone barrato è riportato su tutti i prodotti per ricordarlo.**

I rifiuti possono essere conferiti agli appositi centri di raccolta, oppure, possono essere consegnati gratuitamente al distributore dove è stata acquistata l'apparecchiatura all'atto di acquisto di una nuova equivalente o senza obbligo di un acquisto nuovo per le apparecchiature di dimensioni minori di 25cm.

Per ulteriori informazioni sulla corretta dismissione di questi apparecchi ci si può rivolgere al servizio pubblico preposto.

# 11 Dati tecnici

## 11.1 Generale

Costruzione in alluminio

Tettuccio in ABS

Verniciatura a polveri di epossipoliestere, colore RAL9002

Viteria esterna in acciaio inox

## 11.2 Meccanica

Dimensioni utili interne (WxH): 100x70mm

Lunghezza utile interna (con o senza accessori): 250mm

Pressacavi: 3xM16

Finestra in vetro extrachiaro

- Dimensioni (WxH): 118x75mm

Peso unitario: 3kg

## 11.3 Elettrico

Tensione di alimentazione/Corrente assorbita (versione vuota):

- Da 12Vdc fino a 24Vdc, 1A max
- Da 12Vac fino a 24Vac, 1A max, 50/60Hz
- Da 120Vac fino a 230Vac, 400mA max, 50/60Hz

Tensione di alimentazione/Corrente assorbita (versione con riscaldamento, Ton 15°C±3°C, Toff 22°C±3°C):

- Da 12Vdc fino a 24Vdc, 3A max
- Da 12Vac fino a 24Vac, 3A max, 50/60Hz
- Da 120Vac fino a 230Vac, 400mA max, 50/60Hz

Tensione di alimentazione/Corrente assorbita (versione con ventilatore a ciclo continuo per assistenza riscaldamento):

- 12Vdc, 400mA max
- 24Vac, 200mA max, 50/60Hz

Tensione di alimentazione/Corrente assorbita

- Da 100Vac fino a 240Vac, 40mA max, 50/60Hz (con alimentatore wide-range)

Tensione di alimentazione/Corrente assorbita (versione con ventilatore e termostato per modelli con doppio filtro per ricambio dell'aria, Ton 35°C±3°C, Toff 20°C±3°C):

- 12Vdc, 400mA max
- 24Vac, 200mA max, 50/60Hz
- 120Vac, 0.37A max, 50/60Hz
- 230Vac, 0.19A max, 50/60Hz

Tensione di alimentazione/Corrente assorbita (versione con tergitristallo integrato):

- 24Vac, 1.85A max, 50/60Hz
- 230Vac, 40mA max, 50/60Hz

Alimentatore per telecamera:

- IN da 100Vac fino a 240Vac, 50/60Hz - OUT 12Vdc, 1.25A
- IN 230Vac, 50Hz - OUT 24Vac, 50Hz, 400mA

## 11.4 Ambiente

Installazione per interni ed esterni

Temperatura di esercizio (con riscaldamento): da -20°C fino a +65°C

## 11.5 Certificazioni

Sicurezza elettrica (CE): EN60950-1, IEC60950-1

Compatibilità elettromagnetica (CE): EN50130-4, EN61000-6-3, EN55032 Classe B, FCC Part. 15 Classe B, ICES-003 Classe B (con tergitristallo: EN61000-6-4, EN55032 Classe A, FCC Part. 15 Classe A, ICES-003 Classe A)

Installazione all'esterno (CE): EN60950-22, IEC 60950-22

Grado di protezione IP (EN60529):

- IP66/IP67 (con pressacavi)
- IP66/IP67 (con supporto per passaggio interno cavi, con anelli di tenuta)
- IP55 (con supporto per passaggio interno cavi)
- IP44 (con doppio filtro per ricambio d'aria)

Grado di protezione IK (EN62227):

- per i modelli HOV32K1A084, HOV32K2A084: grado di protezione IK10
- per tutti gli altri modelli: grado di protezione IK10 (eccetto per il vetro frontale)

Resistenza alla nebbia salina: fino a 1000 ore (ISO9227)

Certificazione UL: cULus Listed, TYPE 4X (ad eccezione delle versioni con doppio filtro per il ricambio dell'aria, HOV32K1A018, HOV32K2A016, HOV32K2A017, HOV32K2A147, e della versione con tergitristallo in 230Vac, HOV32K1A100)

Certificazione EAC

# 12 Disegni tecnici

**i** Le dimensioni dei disegni sono espresse in millimetri.

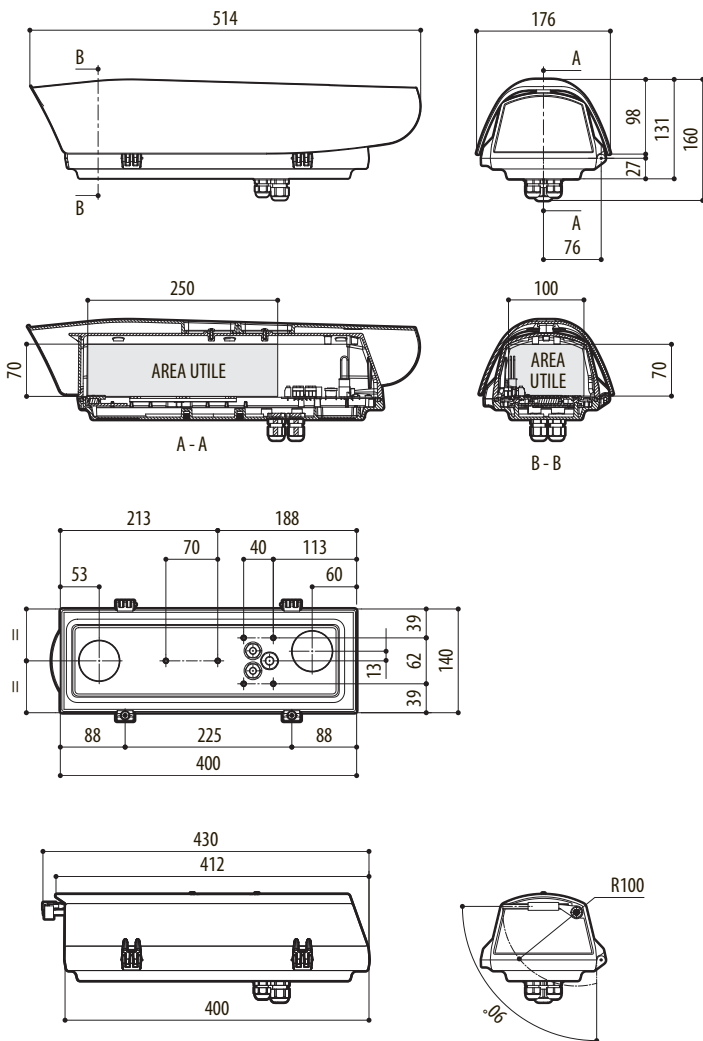


Fig. 13 HOV.





**Headquarters Italy** Videotec S.p.A.  
Via Friuli, 6 - I-36015 Schio (VI) - Italy  
Tel. +39 0445 697411 - Fax +39 0445 697414  
Email: [info@videotec.com](mailto:info@videotec.com)

**Asia Pacific** Videotec (HK) Ltd  
Flat 8, 19/F. On Dak Industrial Building, No. 2-6 Wah Sing Street  
Kwai Chung, New Territories - Hong Kong  
Tel. +852 2333 0601 - Fax +852 2311 0026  
Email: [info.hk@videotec.com](mailto:info.hk@videotec.com)

**France** Videotec France SARL  
Immeuble Le Montreal, 19bis Avenue du Québec, ZA de Courtaboeuf  
91140 Villebon sur Yvette - France  
Tel. +33 1 60491816 - Fax +33 1 69284736  
Email: [info.fr@videotec.com](mailto:info.fr@videotec.com)

**Americas** Videotec Security, Inc.  
Gateway Industrial Park, 35 Gateway Drive, Suite 100  
Plattsburgh, NY 12901 - U.S.A.  
Tel. +1 518 825 0020 - Fax +1 518 825 0022  
Email: [info.usa@videotec.com](mailto:info.usa@videotec.com)

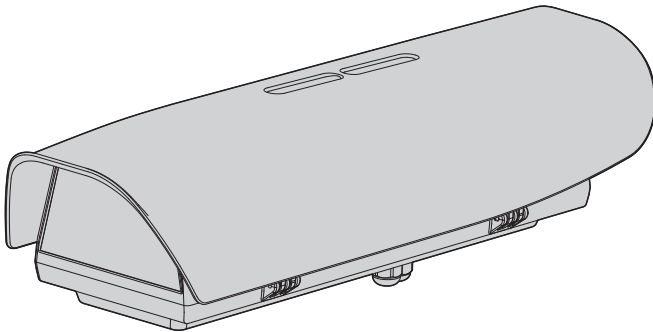


[www.videotec.com](http://www.videotec.com)

**MNVCHOV32\_1744\_IT**

# HOV

Caisson pour caméra en aluminium à ouverture latérale





# Sommaire

<b>1 À propos de ce mode d'emploi .....</b>	<b>4</b>
1.1 Conventions typographiques .....	4
<b>2 Notes sur le copyright et informations sur les marques de commerce .....</b>	<b>4</b>
<b>3 Normes de sécurité.....</b>	<b>4</b>
<b>4 Identification.....</b>	<b>5</b>
4.1 Description et désignation du produit .....	5
4.2 Marquage du produit.....	5
<b>5 Préparation du produit en vue de l'utilisation.....</b>	<b>6</b>
5.1 Déballage.....	6
5.2 Contenu.....	6
5.3 Élimination sans danger des matériaux d'emballage.....	6
5.4 Opérations à effectuer avant l'installation.....	6
5.4.1 Fixation du support .....	6
<b>6 Installation .....</b>	<b>7</b>
6.1 Ouverture du caisson .....	7
6.2 Installation de la caméra .....	7
6.3 Description de la carte.....	8
6.4 Connexion de la ligne d'alimentation.....	8
6.5 Installation de la version avec double filtre pour le changement d'air.....	9
6.6 Installation de la version avec essuie-glace .....	9
6.7 Sachet déshydratant.....	9
<b>7 Accessoires .....</b>	<b>10</b>
7.1 Chauffage .....	10
7.1.1 Installation du chauffage.....	10
7.2 Alimentation pour caméra .....	10
7.2.1 Installation de l'alimentateur pour caméra.....	10
7.3 Ventilateur .....	11
7.3.1 Installation du ventilateur .....	11
<b>8 Instructions de fonctionnement courant .....</b>	<b>12</b>
<b>9 Nettoyage.....</b>	<b>12</b>
9.1 Nettoyage de la fenêtre et des parties en plastique .....	12
<b>10 Informations sur l'élimination et le recyclage.....</b>	<b>12</b>
<b>11 Données techniques.....</b>	<b>13</b>
11.1 Généralités.....	13
11.2 Mécanique .....	13
11.3 Électrique .....	13
11.4 Environnement .....	13
11.5 Certifications.....	13
<b>12 Dessins techniques.....</b>	<b>14</b>

# 1 À propos de ce mode d'emploi

Avant d'installer et d'utiliser cette unité, lire attentivement toute la documentation fournie. Garder le manuel à portée de main pour des consultations successives.

## 1.1 Conventions typographiques



### **DANGER!**

**Risque élevé.**

**Risque de choc électrique. Sauf indication contraire, sectionner l'alimentation avant de procéder à toute opération.**



### **ATTENTION!**

**Risque moyen.**

**Opération extrêmement importante en vue d'un fonctionnement correct du système. Lire avec attention les opérations indiquées et s'y conformer rigoureusement.**



### **REMARQUE**

**Description des caractéristiques du système.**

**Il est conseillé de procéder à une lecture attentive pour une meilleure compréhension des phases suivantes.**

## 2 Notes sur le copyright et informations sur les marques de commerce

Les noms de produit ou de sociétés cités sont des marques de commerce ou des marques de commerce enregistrées.

## 3 Normes de sécurité



**ATTENTION! L'installation et l'entretien du dispositif doivent être effectués exclusivement par un personnel technique qualifié.**



**ATTENTION! L'installation électrique à laquelle l'unité est branchée doit être équipée d'un interrupteur de protection bipolaire automatique. L'interrupteur pour les unités à tension de rete doit avoir un niveau d'intervention de 20A max. L'interrupteur pour les unités à basse tension doit avoir un niveau d'intervention de 6A max. Cet interrupteur doit être de type Listed. La distance minimale entre les de l'interrupteur de protection contacts doit être de 3mm. L'interrupteur doit être équipé de protection contre le courant de défaut vers la terre (différentiel) et le surintensité (magnétothermique).**

- Le fabricant décline toute responsabilité pour les dommages éventuels dus à une utilisation non appropriée des appareils mentionnés dans ce manuel. On réserve en outre le droit d'en modifier le contenu sans préavis. La documentation contenue dans ce manuel a été rassemblée et vérifiée avec le plus grand soin. Le fabricant, cependant, ne peut assumer aucune responsabilité dérivant de l'emploi de celle là. La même chose vaut pour chaque personne ou société impliquées dans la création et la production de ce manuel.
- Sectionner l'alimentation avant de procéder à toute opération.
- Ne pas utiliser de câbles usés ou endommagés.
- Ne procéder sous aucun prétexte à des modifications ou des connexions non prévues dans ce manuel. L'utilisation d'appareils non adéquats peut comporter des dangers graves pour la sécurité du personnel et de l'installation.
- Utiliser uniquement des pièces de rechange d'origine. Les pièces non d'origine peuvent être source d'incendies, de choc électrique ou autres.
- Avant de procéder à l'installation, contrôler que le matériel fourni correspond à la commande et examiner les étiquettes de marquage (4.2 Marquage du produit, page 5).

- Cet appareil est conçu pour être fixé et relié de manière permanente sur un bâtiment ou une structure adéquate. L'appareil doit être fixé et relié de manière permanente avant d'effectuer toute opération.
- Il faut respecter les législations nationales pour l'installation du dispositif.
- La catégorie d'installation (ou catégorie de surtension) spécifie les niveaux de la tension de secteur correspondant à l'appareil. La catégorie dépend du lieu d'installation et du dispositif de protection contre les surtensions installé. En cas d'environnement industriel directement connecté aux circuits de dérivation du système d'alimentation, l'équipement est classé dans la catégorie d'installation III. Dans ce cas, un déclassement à la catégorie II est nécessaire. Peut être obtenu au moyen d'un transformateur d'isolement avec blindage électrostatique entre le primaire et le secondaire ou en utilisant des dispositifs de protection contre les surtensions (SPD), UL listed, entre la phase et le neutre et entre le neutre et la terre. Les dispositifs SPD UL cités doivent être prévus pour limiter les surtensions transitoires en mode répétitif et pour les conditions nominales de fonctionnement suivantes: Type 2 (dispositifs SPD reliés en permanence au côté charge du côté du dispositif de protection contre les surintensités) ; courant nominal de décharge (In) 20kA min. Exemples d'utilisation possible : FERRAZ SHAWMUT, ST23401PG-CN, ST240SPG-CN spécifiés pour 120Vac/240Vca, (In=20kA). La distance maximale entre installation et réduction est de 5m.
- Chaque appareils pouvant être installés à l'intérieur du produit doivent être conformes aux normes de sécurité en vigueur.
- Pour tous les branchements, utiliser les câbles spécifiques pouvant résister à des températures d'au moins 75°C.

- L'installation électrique doit être équipée d'un sectionneur de réseau facile à reconnaître et à utiliser en cas de nécessité.

## 4 Identification

### 4.1 Description et désignation du produit

Robuste caisson en aluminium conçu pour simplifier l'installation et le service et garantir une protection totale dans toutes les conditions environnementales. Ses dimensions le rendent adapté pour loger différentes combinaisons de caméras standards avec optiques fixes ou zooms compacts.

Très simple à installer, l'ouverture latérale facilite largement l'accès à la caméra, aux optiques et à toutes les connexions internes.

Les différents accessoires, tels que le chauffage, le ventilateur avec filtre, l'alimentation pour caméra et l'essuie-glace permettent de répondre à un large éventail d'applications.

### 4.2 Marquage du produit

Voir l'étiquette positionné sur le produit.

## 5 Préparation du produit en vue de l'utilisation



**Toute modification non approuvée expressément par le fabricant entraînera l'annulation de la garantie.**

### 5.1 Déballage

Lors de la livraison du produit, vérifier que l'emballage est en bon état et l'absence de tout signe évident de chute ou d'abrasion.

En cas de dommages évidents, contacter immédiatement le fournisseur.

En cas de retour du produit défectueux, il est conseillé d'utiliser l'emballage original pour le transport.

Conserver l'emballage en cas de nécessité d'expédition du produit pour réparation.

### 5.2 Contenu

Contrôler que le contenu correspond à la liste matériel indiquée ci-dessous:

- Caisson
- Dotation pour caisson:
  - Clé Allen
  - Entretoises
  - Joints pour presse-étoupes
  - Presse-étoupes (x3)
  - Vis
- Manuel d'instructions
- Sachet déshydratant

### 5.3 Élimination sans danger des matériaux d'emballage

Le matériel d'emballage est entièrement composé de matériaux recyclables. Le technicien chargé de l'installation est tenu de l'éliminer conformément aux dispositions en matière de collecte sélective et selon les normes en vigueur dans le pays d'utilisation.

### 5.4 Opérations à effectuer avant l'installation

#### 5.4.1 Fixation du support



**Le produit doit être fixé à l'aide des moyens appropriés. Les moyens de fixation doivent garantir l'étanchéité mécanique et appliquer une force égale au moins à 4 fois le poids total de l'appareil.**



## 6 Installation

### 6.1 Ouverture du caisson

Dévisser les 2 vis placées sur le côté, faire tourner le toit pare-soleil et le corps supérieur autour de l'axe des charnières d'ouverture.

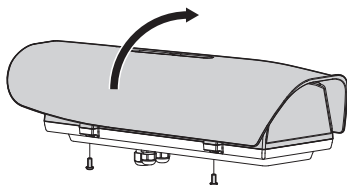


Fig. 1

**i** Au terme des opérations d'installation et de câblage, refermer le produit.

### 6.2 Installation de la caméra



L'alimentation peut être dotée de la carte fournie avec le produit. S'assurer que les valeurs de tension soient appropriées.

Ouvrir le caisson selon la description dans le chapitre correspondant (6.1 Ouverture du caisson, page 7).

Dévisser partiellement les vis de fixation (01).

Enlever la glissière interne (02) jusqu'à ce que les trous coïncident avec les vis de fixation.

Fixer la caméra avec la vis de 1/4" (03). Pour installer correctement caméra et optique, si nécessaire, utiliser les entretoises fournies. (04).

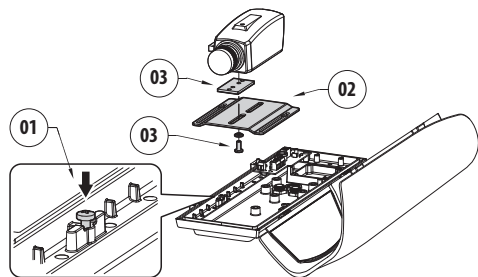


Fig. 2

Replacer la glissière interne en serrant les vis précédemment desserrées.

Enlever la gaine de protection des conducteurs et les brancher à la borne (J5, 6.3 Description de la carte, page 8).

Les conducteurs du câble d'alimentation de la caméra doivent être fixés entre eux avec une collier en proximité de la borne. Garder les câbles d'alimentation séparés de ceux de signal.

## 6.3 Description de la carte

**i** L'aspect de la carte pourrait être différer de celui qui est illustré.

**i** La carte, selon la version du produit, pourrait ne pas être munie de toutes les fonctions.

### DESCRIPTION DE LA CARTE

Connecteur	Fonction
J1	Alimentation de la carte ( $V_{IN}$ ) <sup>1</sup>
J2	Sortie auxiliaire ( $V_{OUT}$ ) <sup>2</sup>
J3	Alimentation du chauffage ( $V_{OUT}$ )
J4	Contact du switch antiapertura <sup>3</sup>
J5	Alimentation de la camera ( $V_{OUT}$ ) <sup>4</sup>
J7	Connecteur pour alimentation/barrette <sup>5</sup>
J8	Alimentation du ventilateur ( $V_{OUT}$ )
SW1	Switch anti-ouverture <sup>3</sup>

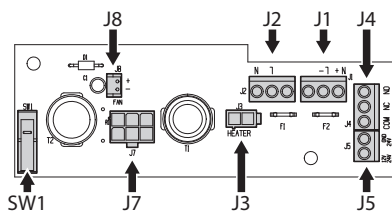
**Tab. 1** <sup>1</sup> De 100Vac à 240Vac, 24Vac ou 12Vdc.

<sup>2</sup> Meme tension appliquée à la borne d'alimentation de la carte (J1).

<sup>3</sup> En option.

<sup>4</sup> Il existe différentes alternatives selon la version.  $V_{OUT} = 12Vdc$  ou  $V_{OUT} = 24Vac$ , en relation au type d'alimentateur installé (7.2.1 Installation de l'alimentateur pour caméra, page 10).  $V_{OUT} = V_{IN}$ , uniquement pour les gaines alimentées en 12Vdc ou 24Vac, avec le shunt inséré (J7).

<sup>5</sup> Pour installer un alimentateur en 12Vdc ou 24Vac faire référence au chapitre correspondant (7.2.1 Installation de l'alimentateur pour caméra, page 10).



**Fig. 3**

**i** Section nominale des câbles utilisés: de  $0.2mm^2$  jusqu'à  $2.5mm^2$ .

## 6.4 Connexion de la ligne d'alimentation

**!** **ATTENTION!** Le type de câble utilisé doit être compatible avec l'usage prévu. Respectez les règles nationales en vigueur en matière d'installations électriques.

**!** Faire le branchement de sécurité à la terre de la borne correspondante du connecteur J1.

**!** Le câble de terre doit être plus long des deux autres d'environ 10mm pour éviter tout détachement accidentel.

Introduisez les câbles dans le caisson via les presse-étoupes. Les presse-câbles sont prévus pour des conducteurs avec un diamètre compris entre 5mm et 10mm. La partie de câble à l'intérieur de la gaine doit être suffisamment long pour permettre le branchement. Serrer opportunément les presse-étoupes.

Enlever la gaine de protection des conducteurs et les brancher à la borne (J1, 6.3 Description de la carte, page 8).

## 6.5 Installation de la version avec double filtre pour le changement d'air

**i** Durant l'installation prêter l'installation à l'orientation des ailettes du filtre d'entrée de l'air.

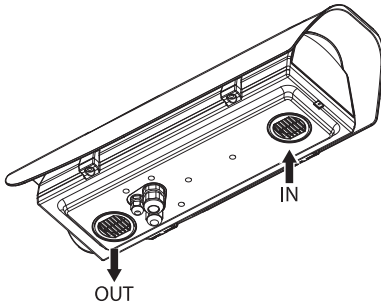


Fig. 4

Selon l'angle d'inclinaison de la gaine, l'orientation des ailettes du filtre doit empêcher à l'eau de pénétrer en cas de pluie.

Pour garantir un degré de protection, installer le caisson au support en respectant les limites d'inclinaison selon la figure.

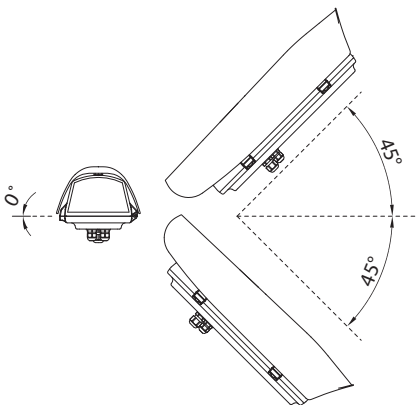


Fig. 5 Inclinaison maximal de l'axe transversal: 0°.  
Inclinaison maximal de l'axe longitudinal: ±45°.

## 6.6 Installation de la version avec essuie-glace

Ouvrir le caisson selon la description dans le chapitre correspondant (6.1 Ouverture du caisson, page 7). Identifier la borne de la carte de l'essui-glace.

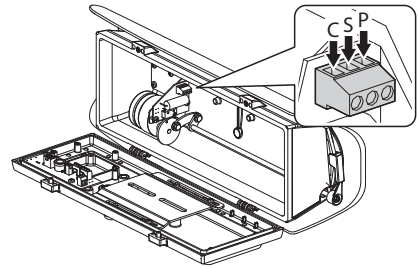


Fig. 6

Brancher la carte de l'essuie-glace au réseau d'alimentation selon la figure.

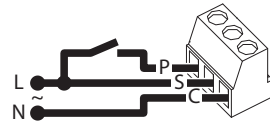


Fig. 7

**i** Section nominale des câbles utilisés: de 0.2mm<sup>2</sup> jusqu'à 2.5mm<sup>2</sup>.

En pressant le bouton on active l'essuie-glace. En relâchant le bouton-poussoir, la brosse de l'essuie-glace se mettra en position de repos.

Si l'on dispose d'un récepteur ayant la fonction de commande Wiper, brancher les bornes SW, PER et COM respectivement aux terminaux S, P et C de la carte.

## 6.7 Sachet déshydratant

Prenez le sachet de sel desséchant de son emballage et le placer dans le produit.

## 7 Accessoires



Pour de plus amples informations sur la configuration et l'utilisation, consulter le manuel de l'accessoire correspondant.

### 7.1 Chauffage

#### 7.1.1 Installation du chauffage

Ouvrir le caisson selon la description dans le chapitre correspondant (6.1 Ouverture du caisson, page 7).

Fixer le kit de chauffage aux points prédisposés sur le corps du caisson.

La résistance précâblée (01) doit être placée entre les 2 dissipateurs (02) avant la fixation pour en garantir le contact et assurer de cette façon une bonne transmission de la chaleur.

Passer le câblage du chauffage sous la glissière pour la fixation de la caméra.

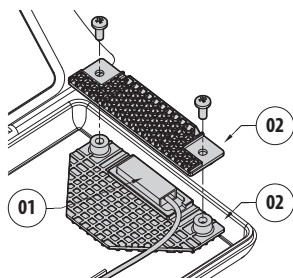


Fig. 8

Après l'installation, raccorder les câbles à la borne. (connecteur pour alimentation, 6.3 Description de la carte, page 8).

Replacer la glissière interne en serrant les vis précédemment desserrées.

## 7.2 Alimentation pour caméra

### 7.2.1 Installation de l'alimentateur pour caméra



Pas utilisable pour les caissons équipés de système essuie-glace installé.



Il faut faire attention au valeur de tension utilisée en alimentant le circuit. Selon les exigences utiliser le kit d'alimentation approprié.

Alimentateurs utilisables:

- IN de 100Vac jusqu'à 240Vac, 50/60Hz - OUT 12Vdc, 1.25A
- IN 230Vac, 50Hz - OUT 24Vac, 50Hz, 400mA

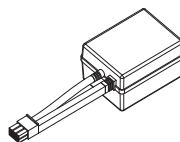


Fig. 9 Alimentation pour caméra.

Ouvrir le caisson selon la description dans le chapitre correspondant (6.1 Ouverture du caisson, page 7).

En utilisant la vis (01) fixer la bride de soutien (02). Positionner l'alimentateur (03) sur la bride de soutien. Fixer le tout avec les vis (04) et la bride de fixation d'angle (05).

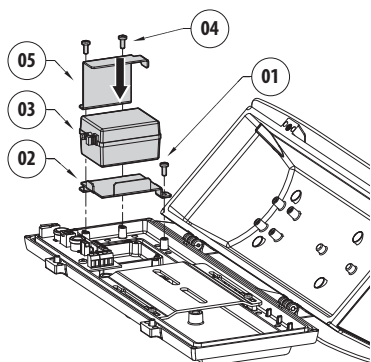


Fig. 10

Insérer le connecteur femelle multipolaire dans connecteur mâle correspondant (J7, 6.3 Description de la carte, page 8).

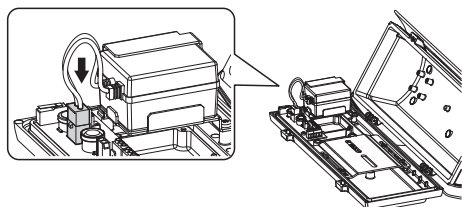


Fig. 11

## 7.3 Ventilateur

### 7.3.1 Installation du ventilateur

**⚠ Pas utilisable dans les versions avec double filtre pour le changement d'air et essuie-glace.**

**⚠ Il faut faire attention à la valeur de tension utilisée en alimentant le circuit. Selon les exigences utiliser le kit d'alimentation approprié.**

**⚠ Le ventilateur doit être monté d'après les instructions pour garantir une bonne circulation de l'air à l'intérieur du caisson.**

Ouvrir le caisson selon la description dans le chapitre correspondant (6.1 Ouverture du caisson, page 7).

Fixer le ventilateur à l'aide du petit étrier de support en angle fournie en utilisant les vis.

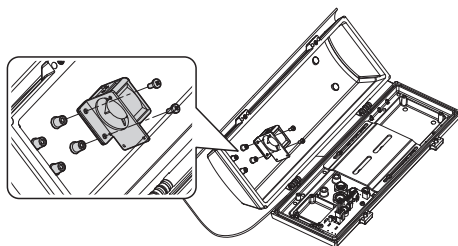


Fig. 12

Insérer le connecteur femelle multipolaire dans connecteur mâle correspondant (J8, 6.3 Description de la carte, page 8).

## 8 Instructions de fonctionnement courant



**Ne pas utiliser l'essuie-glace avec température extérieure inférieure à 0°C ou en cas de givre.**

## 9 Nettoyage

### 9.1 Nettoyage de la fenêtre et des parties en plastique



**On doit éviter alcool éthylique, solvants, hydrocarbures hydro-génés, acides forts et alcali. L'emploi de ce type de produits abîme d'une façon irréparable la surface traitée.**

Il est conseillé d'utiliser un chiffon souple avec des savons neutres dilués avec de l'eau ou des produits spécifiques pour le nettoyage des verres des lunettes.

## 10 Informations sur l'élimination et le recyclage

La Directive Européenne 2012/19/UE sur les déchets d'équipements électriques et électroniques (DEEE) exige que ces dispositifs ne doivent pas être éliminés dans le flux normal de déchets solides municipaux, mais ils doivent être collectés séparément afin d'optimiser le flux de récupération et de recyclage des matériaux qu'ils contiennent et pour réduire l'impact sur la santé humaine et l'environnement en raison de la présence de substances potentiellement dangereuses.



**Le symbole de la poubelle sur roues barrée d'une croix figure sur tous les produits pour le rappeler.**

Les déchets peuvent être livrés aux centres de collecte appropriés ou peuvent être livrés gratuitement au distributeur où vous avez acheté l'équipement, au moment de l'achat d'un nouvel dispositif équivalent ou sans obligation d'achat pour un équipement de taille inférieure de 25cm.

Pour plus d'informations sur l'élimination correcte de ces dispositifs, vous pouvez contacter le service public responsable.

# 11 Données techniques

## 11.1 Généralités

Construction en aluminium

Double toit en ABS

Vernissage avec poudres époxy polyester, couleur RAL9002

Visserie extérieure en acier inox

## 11.2 Mécanique

Surface intérieure utile (WxH): 100x70mm

Longueur intérieure utile (avec ou sans accessoires): 250mm

Presse-étoupes: 3xM16

Fenêtre en verre extra-clair

- Dimensions (WxH): 118x75mm

Poids net: 3kg

## 11.3 Électrique

Tension d'alimentation/Courant absorbé (Version vide):

- De 12Vdc jusqu'à 24Vdc, 1A max
- De 12Vac jusqu'à 24Vac, 1A max, 50/60Hz
- De 120Vac jusqu'à 230Vac, 400mA max, 50/60Hz

Tension d'alimentation/Courant absorbé (version avec chauffage, Ton 15°C±3°C, Toff 22°C±3°C):

- De 12Vdc jusqu'à 24Vdc, 3A max
- De 12Vac jusqu'à 24Vac, 3A max, 50/60Hz
- De 120Vac jusqu'à 230Vac, 400mA max, 50/60Hz

Tension d'alimentation/Courant absorbé (version avec ventilateur à cycle continu pour assistance chauffage):

- 12Vdc, 400mA max
- 24Vac, 200mA max, 50/60Hz

Tension d'alimentation/Courant absorbé

- De 100Vac jusqu'à 240Vac, 40mA max, 50/60Hz (avec alimentation wide-range)

Tension d'alimentation/Courant absorbé (version avec ventilateur et thermostat avec double filtre pour le renouvellement de l'air, Ton 35°C±3°C, Toff 20°C±3°C):

- 12Vdc, 400mA max
- 24Vac, 200mA max, 50/60Hz
- 120Vac, 0.37A max, 50/60Hz
- 230Vac, 0.19A max, 50/60Hz

Tension d'alimentation/Courant absorbé (version avec essuie-glace intégré):

- 24Vac, 1.85A max, 50/60Hz
- 230Vac, 40mA max, 50/60Hz

Alimentation pour caméra:

- IN de 100Vac jusqu'à 240Vac, 50/60Hz - OUT 12Vdc, 1.25A
- IN 230Vac, 50Hz - OUT 24Vac, 50Hz, 400mA

## 11.4 Environnement

Installation d'intérieur et d'extérieur

Température de fonctionnement (avec chauffage): de -20°C jusqu'à +65°C

## 11.5 Certifications

Sécurité électrique (CE): EN60950-1, IEC60950-1

Compatibilité électromagnétique (CE): EN50130-4, EN61000-6-3, EN55032 Classe B, FCC Part. 15 Classe B, ICES-003 Classe B (avec essuie-glace: EN61000-6-4, EN55032 Classe A, FCC Part. 15 Classe A, ICES-003 Classe A)

Installation à l'extérieur (CE): EN60950-22, IEC 60950-22

Degré de protection IP (EN60529):

- IP66/IP67 (avec presse-étoupes)
- IP66/IP67 (avec support pour passage interne des câbles, avec anneaux d'étanchéité)
- IP55 (avec support pour passage interne des câbles)
- IP44 (avec double filtre pour le renouvellement de l'air)

Degré de protection IK (EN62262):

- pour les modèles HOV32K1A084, HOV32K2A084: degré de protection IK10
- pour tous les autres modèles: degré de protection IK10 (à l'exception du verre avant)

Résistant au brume saline: jusqu'à 1000 heures (ISO9227)

Certification UL: cULus Listed, TYPE 4X (à l'exception des versions avec double filtre pour l'échange d'air HOV32K1A018, HOV32K2A016, HOV32K2A017, HOV32K2A147 et la version avec essuie-glace 230Vac HOV32K1A100)

Certification EAC

# 12 Dessins techniques

Les dimensions des dessins sont exprimées en millimètres.

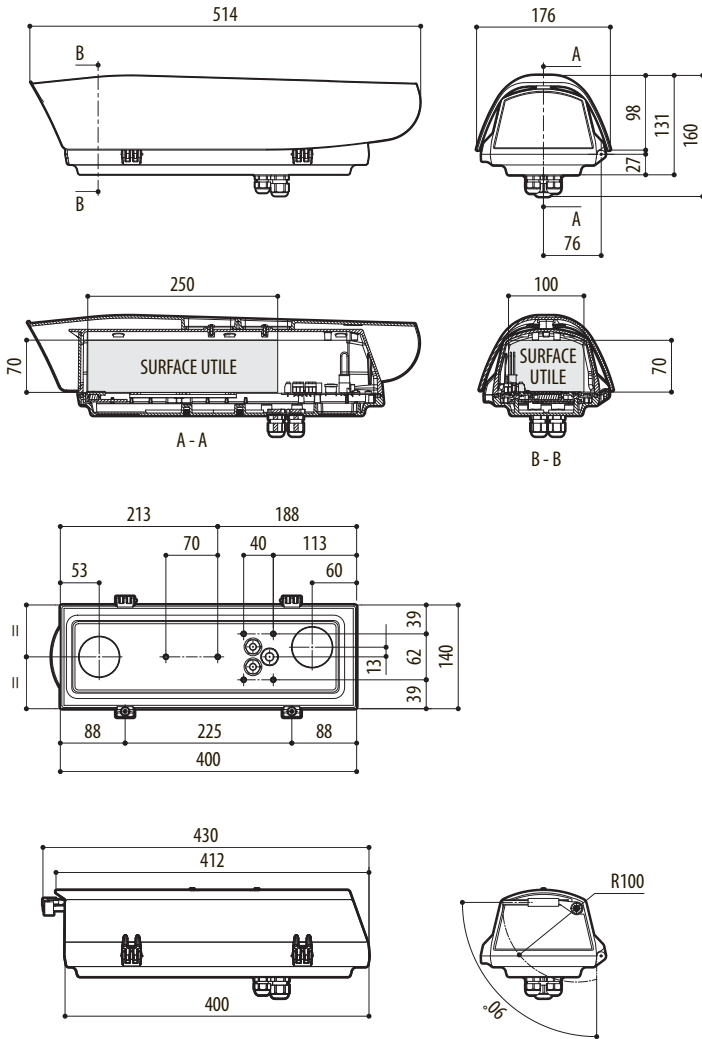


Fig. 13 HOV.





**Headquarters Italy** Videotec S.p.A.  
Via Friuli, 6 - I-36015 Schio (VI) - Italy  
Tel. +39 0445 697411 - Fax +39 0445 697414  
Email: [info@videotec.com](mailto:info@videotec.com)

**Asia Pacific** Videotec (HK) Ltd  
Flat 8, 19/F. On Dak Industrial Building, No. 2-6 Wah Sing Street  
Kwai Chung, New Territories - Hong Kong  
Tel. +852 2333 0601 - Fax +852 2311 0026  
Email: [info.hk@videotec.com](mailto:info.hk@videotec.com)

**France** Videotec France SARL  
Immeuble Le Montreal, 19bis Avenue du Québec, ZA de Courtaboeuf  
91140 Villebon sur Yvette - France  
Tel. +33 1 60491816 - Fax +33 1 69284736  
Email: [info.fr@videotec.com](mailto:info.fr@videotec.com)

**Americas** Videotec Security, Inc.  
Gateway Industrial Park, 35 Gateway Drive, Suite 100  
Plattsburgh, NY 12901 - U.S.A.  
Tel. +1 518 825 0020 - Fax +1 518 825 0022  
Email: [info.usa@videotec.com](mailto:info.usa@videotec.com)

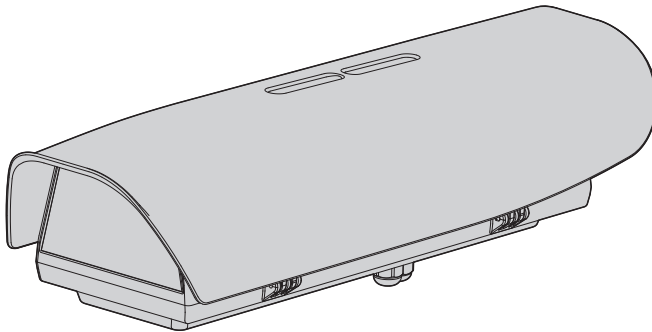


[www.videotec.com](http://www.videotec.com)

**MNVCHOV32\_1744\_FR**

# HOV

## Aluminiumgehäuse mit Seitenöffnung





# Inhaltsverzeichnis

<b>1 Allgemeines</b> .....	<b>4</b>
1.1 Schreibweisen.....	4
<b>2 Anmerkungen zum Copyright und Informationen zu den Handelsmarken</b> .....	<b>4</b>
<b>3 Sicherheitsnormen</b> .....	<b>4</b>
<b>4 Identifizierung</b> .....	<b>5</b>
4.1 Beschreibung und Bezeichnung des Produktes.....	5
4.2 Kennzeichnung des Produkts.....	5
<b>5 Vorbereitung des Produktes auf den Gebrauch</b> .....	<b>6</b>
5.1 Entfernen der Verpackung .....	6
5.2 Inhalt .....	6
5.3 Sichere Entsorgung der Verpackungsmaterialien .....	6
5.4 Auf die Installation vorbereitende Tätigkeiten.....	6
5.4.1 Befestigung der Halterung.....	6
<b>6 Installation</b> .....	<b>7</b>
6.1 Öffnung des Schutzgehäuse .....	7
6.2 Installation der Kamera .....	7
6.3 Beschreibung der Karte.....	8
6.4 Anschluss der Stromversorgung.....	8
6.5 Installation der Version mit Doppelfilter für den Luftaustausch .....	9
6.6 Installation der Ausführung mit Scheibenwischer .....	9
6.7 Trockenmittelbeutel .....	9
<b>7 Zubehör</b> .....	<b>10</b>
7.1 Heizung .....	10
7.1.1 Installation der Heizung.....	10
7.2 Kameranetzteil.....	10
7.2.1 Installation des Netzteil für Kamera.....	10
7.3 Lüfter .....	11
7.3.1 Installation des Lüfters.....	11
<b>8 Anleitung für den normalen Betrieb</b> .....	<b>12</b>
<b>9 Reinigung</b> .....	<b>12</b>
9.1 Reinigung des Fensters und der Kunststoffteile .....	12
<b>10 Informationen bezüglich Entsorgung und Recycling</b> .....	<b>12</b>
<b>11 Technische Daten</b> .....	<b>13</b>
11.1 Allgemeines.....	13
11.2 Mechanik.....	13
11.3 Elektrik.....	13
11.4 Umgebung .....	13
11.5 Zertifizierungen .....	13
<b>12 Technische Zeichnungen</b> .....	<b>14</b>

# 1 Allgemeines

Vor Installation und Anwendung der Einheit ist die gesamte gelieferte Dokumentation aufmerksam zu lesen. Zum späteren Nachschlagen das Handbuch in Reichweite aufbewahren.

## 1.1 Schreibweisen



### GEFAHR!

**Erhöhte Gefährdung.**  
Stromschlaggefahr. Falls nichts anderes angegeben, unterbrechen Sie die Stromversorgung, bevor die beschriebenen Arbeiten durchgeführt werden.



### ACHTUNG!

**Mittlere Gefährdung.**  
Der genannte Vorgang hat große Bedeutung für den einwandfreien Betrieb des Systems. Es wird gebeten, sich die Verfahrensweise durchzulesen und zu befolgen.



### ANMERKUNG

**Beschreibung der Systemmerkmale.**  
Eine sorgfältige Lektüre wird empfohlen, um das Verständnis der folgenden Phasen zu gewährleisten.

## 2 Anmerkungen zum Copyright und Informationen zu den Handelsmarken

Die angeführten Produkt- oder Firmennamen sind Handelsmarken oder eingetragene Handelsmarken.

# 3 Sicherheitsnormen



**ACHTUNG! Die Installation und Wartung der Vorrichtung ist technischen Fachleuten vorbehalten.**



**ACHTUNG! Die elektrische Anlage, an der die Einheit angeschlossen ist, muss mit einem automatischen zweipoligen Schutzschalter versehen werden. Der Schalter für die mit Netzspannung betriebenen Einheiten muss eine Auslöseschwelle von max. 20A haben. Der Schalter für die mit Niederspannung betriebenen Einheiten muss eine Auslöseschwelle von max. 6A haben. Dieser Schalter muss vom Typ Listed sein. Zwischen den Schutzschalter Kontakten muss mindestens ein Abstand von 3mm vorhanden sein. Der Schalter muss eine Schutzeinrichtung gegen Erde Fehlerstrom (Differenzial) und gegen Überstrom haben (magnetothermisch).**

- Der Hersteller lehnt jede Haftung für eventuelle Schäden ab, die aufgrund unsachgemäßer Anwendung der in diesem Handbuch erwähnten Geräte entstanden ist. Ferner behält er sich das Recht vor, den Inhalt ohne Vorkündigung abzuändern. Die Dokumentation in diesem Handbuch wurde sorgfältig ausgeführt und überprüft. Der Hersteller kann dennoch keine Haftung für die Verwendung übernehmen. Dasselbe gilt für jede Person oder Gesellschaft, die bei der Schaffung oder Produktion von diesem Handbuch miteinbezogen ist.
- Unterbrechen Sie die Stromversorgung, bevor die beschriebenen Arbeiten durchgeführt werden.
- Es dürfen keine Kabel mit Verschleiß- oder Alterungsspuren verwendet werden.
- Unter keinen Umständen dürfen Veränderungen oder Anschlüsse vorgenommen werden, die in diesem Handbuch nicht genannt sind. Der Gebrauch ungeeigneten Geräts kann die Sicherheit des Personals und der Anlage schwer gefährden.
- Es dürfen nur Original-Ersatzteile verwendet werden. Nicht originale Ersatzteile können zu Bränden, elektrischen Entladungen oder anderen Gefahren führen.
- Vor der Installation ist anhand des Kennzeichnungsschildes nachzuprüfen, ob das gelieferte Material die gewünschten Eigenschaften (4.2 Kennzeichnung des Produkts, Seite 5).

- Die Einrichtung ist für die dauerhafte Befestigung und Verbindung in ein Gebäude oder eine andere geeignete Struktur konzipiert. Vor jeder Operation muss die Einrichtung dauerhaft befestigt und verbunden werden.
- Die nationalen Vorschriften für die Installation der Einrichtung sind einzuhalten.
- Die Installationskategorie (auch als Überspannungskategorie bezeichnet) gibt den Pegel der Netzspannungsstöße an, denen die Ausrüstung ausgesetzt ist. Die Kategorie hängt vom Installationsort der Ausrüstung und von den externen Schutzvorrichtungen gegen Spannungsstöße ab. Ausrüstungen in einer gewerblichen Umgebung, die direkt mit den Hauptzweigen der Versorgungsanlage verbunden sind, gehören zur Installationskategorie III. In diesem Fall ist eine Abstufung auf Installationskategorie II erforderlich. Alternativ können UL listed Überspannungsschutzvorrichtungen (SPD) von Fase zu Nullleiter und von Nullleiter zur Erde geführt werden. UL-gelistete Überspannungsschutzvorrichtungen sind für die wiederholte Begrenzung kurzzeitig auftretender Spannungsspitzen und für die folgenden nominellen Betriebsbedingungen auszulegen: Typ 2 (Dauerhaft angeschlossene Überspannungsschutzvorrichtungen für die Installation auf der Ladungsseite der Hilfseinrichtung); Nennladestrom (In) 20kA min. Benutzt werden können beispielsweise: FERRAZ SHAWMUT, STT2240SPG-CN, STT2BL240SPG-CN, spezifiziert für 120Vac/240Vac, (In=20kA). Der maximale Abstand zwischen dem Einbau und der Abkürzung ist 5m.
- Jede Art in das Produkt installierbares Gerät muss den geltenden Sicherheitsnormen genügen.
- Benutzen Sie für alle Verbindungen Kabel, die bis mindestens 75°C hitzebeständig sind.
- Die elektrische Anlage muss mit einem Netztrennschalter versehen sein, der im Bedarfsfall sofort erkannt und gebraucht werden kann.

## 4 Identifizierung

### 4.1 Beschreibung und Bezeichnung des Produktes

Robustes Aluminiumgehäuse, das zur Vereinfachung von Installation und Wartung konstruiert ist und vollständigen Schutz gegen alle Umgebungsbedingungen bietet.

Aufgrund seiner Abmessungen eignet es sich für die Aufnahme diverser Kombinationen aus Standardkameras und festen Optiken oder kompakten Zoomoptiken.

Äußerst einfache Installation, durch die seitliche Öffnung wird der Zugang zur Videokamera, den Optiken und allen innenliegenden Anschlüssen erleichtert.

Für die unterschiedlichen Anforderungen in verschiedenen Einsatzbereiche stehen zahlreiche Optionen wie Heizug, Lüftung und Filter, sowie Kamera-Netzteile und Scheibenwischer zur Verfügung.

### 4.2 Kennzeichnung des Produkts

Siehe das Label auf dem Produkt.

## 5 Vorbereitung des Produktes auf den Gebrauch



**Jede vom Hersteller nicht ausdrücklich genehmigte Veränderung führt zum Verfall der Gewährleistungsrechte.**

### 5.1 Entfernen der Verpackung

Bei der Lieferung des Produktes ist zu prüfen, ob die Verpackung intakt ist oder offensichtliche Anzeichen von Stürzen oder Abrieb aufweist.

Bei offensichtlichen Schadensspuren an der Verpackung muss umgehend der Lieferant verständigt werden.

Im Falle der Rückgabe des nicht korrekt funktionierenden Produktes empfiehlt sich die Verwendung der Originalverpackung für den Transport.

Bewahren Sie die Verpackung auf für den Fall, dass das Produkt zur Reparatur eingeschendet werden muss.

### 5.2 Inhalt

Prüfen Sie, ob der Inhalt mit der nachstehenden Materialliste übereinstimmt:

- Gehäuse
- Innensechskantschlüssel:
  - Sechskantschlüssel
  - Abstandsstücke
  - Dichtungen für Kabelverschraubungen
  - Kabelverschraubungen (x3)
  - Schrauben
- Bedienungsanleitung
- Trockenmittelbeutel

### 5.3 Sichere Entsorgung der Verpackungsmaterialien

Die Verpackungsmaterialien sind vollständig wiederverwertbar. Es ist Sache des Installationstechnikers, sie getrennt, auf jeden Fall aber nach den geltenden Vorschriften des Anwendungslandes zu entsorgen.

### 5.4 Auf die Installation vorbereitende Tätigkeiten

#### 5.4.1 Befestigung der Halterung



**Das Produkt muss mit geeigneten Mitteln befestigt werden. Die Befestigungsmittel müssen die mechanische Festigkeit beim Anlegen von mindestens dem 4-fachen Gesamtgewicht des Gerätes garantieren.**



## 6 Installation

### 6.1 Öffnung des Schutzgehäuse

Die beiden an der Flanke befindlichen Schrauben abdrehen, nun die Haube und den oberen Korpus um die Achse der Öffnungsscharniere drehen.

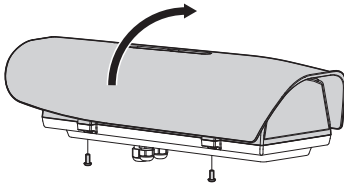


Abb. 1



**Nach Beendigung der Installation und der Verkabelung das Produkt wieder schließen.**

### 6.2 Installation der Kamera



**Die Stromversorgung muss über die Karte erfolgen, die im Lieferumfang des Geräts enthalten ist. Prüfen, dass die Spannungswerte angemessen sind.**

Das Gehäuse nach der Erläuterung im zugehörigen Kapitel öffnen (6.1 Öffnung des Schutzgehäuse, Seite 7).

Die Befestigungsschrauben teilweise lösen (01).

Nun den Innerschlitten (02) soweit gleiten lassen, bis seine Bohrungen mit den Befestigungsschrauben übereinstimmen.

Befestigen Sie die Kamera mit der 1/4"-Schraube (03). Falls erforderlich, kommen die mitgelieferten Distanzstücke zum Einsatz, um Kamera und Optik korrekt unterzubringen. (04).

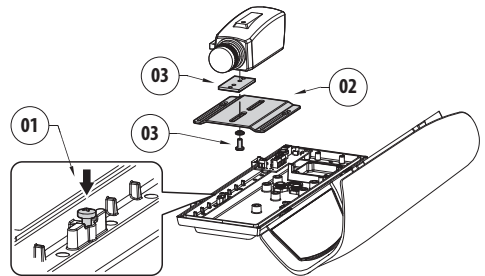


Abb. 2

Den internen Schlitten wieder an Ort und Stelle bringen und die zuvor gelockerten Schrauben festziehen.

Die Schutzummantelung der Leiter entfernen und die Leiter an die Klemme anschließen (J5, 6.3 Beschreibung der Karte, Seite 8).

Die Leiter des Kabels für die Versorgung der Kamera müssen in Klemmennähe fest miteinander mit einem Kabelbinder verbunden werden. Die Versorgungskabel von den Signalkabeln getrennt halten.

## 6.3 Beschreibung der Karte

**i** Die Abbildung kann von der tatsächlichen Karte abweichen.

**i** Je nach Geräteausführung verfügt die Karte möglicherweise nicht über alle Funktionen.

### BESCHREIBUNG DER KARTE

Verbinder	Funktion
J1	Platinenversorgung ( $V_{IN}$ ) <sup>1</sup>
J2	Hilfsausgang ( $V_{OUT}$ ) <sup>2</sup>
J3	Heizungsversorgung ( $V_{OUT}$ )
J4	Kontakte des Öffnungsschutzschalters <sup>3</sup>
J5	Kameraversorgung ( $V_{OUT}$ ) <sup>4</sup>
J7	Verbinder für Netzteil/Überbrückung <sup>5</sup>
J8	Stromversorgung des Lüfters ( $V_{OUT}$ )
SW1	Öffnungssicherer Switch <sup>3</sup>

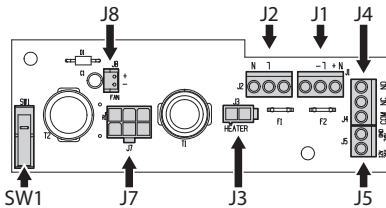
**Tab. 1** <sup>1</sup> Von 100Vac a 240Vac, 24Vac o 12Vdc.

<sup>2</sup> Die gleiche Spannung liegt an der Versorgungsklemme der Platine (J1).

<sup>3</sup> Wahlfrei.

<sup>4</sup> Je nach Ausführung sind mehrere Alternativen möglich.  $V_{OUT} = 12Vdc$  o  $V_{OUT} = 24Vac$ , je nach Art des installierten Netzteils (7.2.1 Installation des Netzteil für Kamera, Seite 10).  $V_{OUT} = V_{IN}$ , nur für mit 12Vdc oder 24Vac versorgte Gehäuse, mit angeschlossener Brücke (J7).

<sup>5</sup> Um ein 12V-Gleichstrom- oder 24V-Wechselstrom-Netzteil zu installieren, bitte das entsprechende Kapitel beachten. (7.2.1 Installation des Netzteil für Kamera, Seite 10).



**Abb. 3**

**i** Nennquerschnitt der verwendeten Kabel: von 0.2mm<sup>2</sup> bis zu 2.5mm<sup>2</sup>.

## 6.4 Anschluss der Stromversorgung

**!** **ACHTUNG!** Der verwendete Kabeltyp muss mit dem vorgesehenen Einsatz kompatibel sein. An die geltenden nationalen Vorschriften in Bezug auf elektrische Installationen halten.

**!** Die Schutz Erde an Verbinder J1 mit der zugehörigen Klemme anschließen.

**!** Das Erdungskabel muss um etwa 10mm länger sein, als die anderen beiden Kabel, um das ungewollte Lösen durch Ziehen des Kabels zu verhindern.

Die Kabel in das Gehäuse mittels der Kabeldurchführungen einführen. Die Kabelverschraubungen eignen sich für Leiter mit Durchmesser zwischen 5mm und 10mm. Der Kabelabschnitt im Gehäuse muss ausreichend lang sein, damit der Anschluss möglich ist. Ziehen Sie die Kabelverschraubungen in geeigneter Weisefest.

Die Schutzummantelung der Leiter entfernen und die Leiter an die Klemme anschließen (J1, 6.3 Beschreibung der Karte, Seite 8).

## 6.5 Installation der Version mit Doppelfilter für den Luftaustausch

**i** Während der Installation auf die Ausrichtung der Luftklappen am Lufteinlassfilter achten.

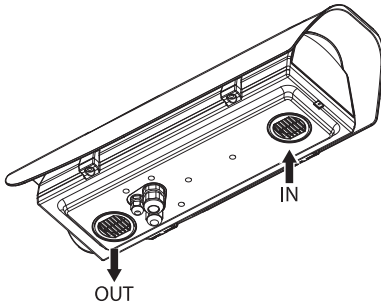


Abb. 4

Je nach Neigungswinkel des Gehäuses müssen die Luftklappen am Filter so ausgerichtet sein, dass bei Regen kein Wasser eindringen kann.

Das Gehäuse auf der Halterung gemäß den Neigungsbegrenzungen des Bildes installieren, um den Schutzgrad zu garantieren.

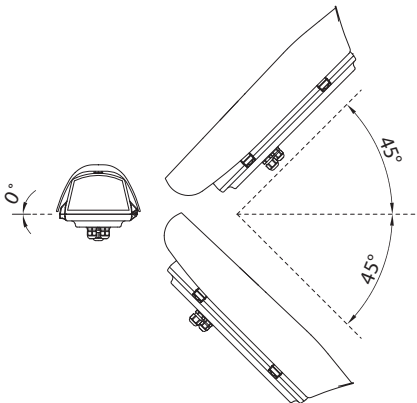


Abb. 5 Maximale Neigung der Querachse: 0°. Maximale Neigung der Längsachse: ±45°.

## 6.6 Installation der Ausführung mit Scheibenwischer

Das Gehäuse nach der Erläuterung im zugehörigen Kapitel öffnen (6.1 Öffnung des Schutzgehäuse, Seite 7).

Die Klemme der Wischerplatine ausfindig machen.

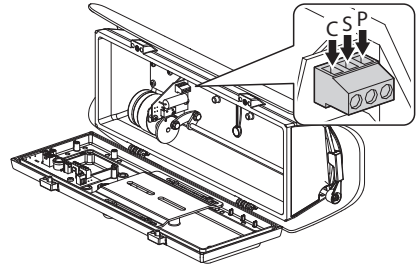


Abb. 6

Die Karte des Scheibenwischers wie in der Abbildung gezeigt an das Stromnetz anschließen.

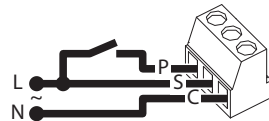


Abb. 7

**i** Nennquerschnitt der verwendeten Kabel: von 0.2mm<sup>2</sup> bis zu 2.5mm<sup>2</sup>.

Wenn die Taste gedrückt wird, wird der Scheibenwischer eingeschaltet. Beim Loslassen des Knopfes wird das Scheibenwischerblatt in die Ruhestellung geführt.

Steht ein Empfänger mit der Steuerungsfunktion Wiper zur Verfügung, müssen die Klemmen SW, PER und COM - in dieser Reihenfolge - mit den Endstücken S, P und C der Platine verbunden werden.

## 6.7 Trockenmittelbeutel

Nehmen Sie den Trockenmittel- Salzbeutel aus seiner Verpackung und setzen Sie ihn in der Produkt.

## 7 Zubehör



Für weitere Details zur Konfiguration und zum Gebrauch beachten Sie bitte das Handbuch des entsprechenden Geräts.

### 7.1 Heizung

#### 7.1.1 Installation der Heizung

Das Gehäuse nach der Erläuterung im zugehörigen Kapitel öffnen (6.1 Öffnung des Schutzgehäuse, Seite 7).

Reichen Sie den Heizungsdraht durch die vorgesehenen Halterungen.

Der vorverkabelte Heizwiderstand (01) muß, bevor er befestigt wird, zwischen die beiden Ableiter (02) gesetzt werden, damit der Kontakt gewährleistet ist und die Wärme richtig übertragen wird.

Reichen Sie die Heizungverkabelung unter dem Kamerabefestigungsschlitten.

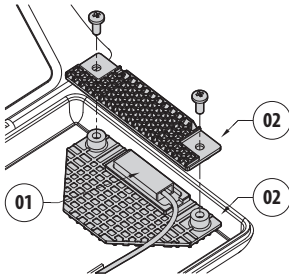


Abb. 8

Am Ende der Montage die Verkabelung an die Klemme verbinden (Verbinder für Netzteil, 6.3 Beschreibung der Karte, Seite 8).

Den internen Schlitten wieder an Ort und Stelle bringen und die zuvor gelockerten Schrauben festziehen.

## 7.2 Kameranetzteil

### 7.2.1 Installation des Netzteil für Kamera



Nicht anwendbar in Gehäusen mit installiertem Scheibenwischer.



Wenn der Schaltkreis gespeist wird, muß auf Versorgungsspannungswert geachtet werden. Verwenden Sie das für den Einzelfall geeignete Netzgerät.

Verwendbare Netzteile:

- IN von 100Vac bis zu 240Vac, 50/60Hz - OUT 12Vdc, 1.25A
- IN 230Vac, 50Hz - OUT 24Vac, 50Hz, 400mA

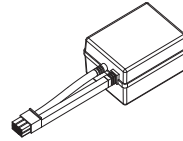


Abb. 9 Kameranetzteil.

Das Gehäuse nach der Erläuterung im zugehörigen Kapitel öffnen (6.1 Öffnung des Schutzgehäuse, Seite 7).

Mit der Schraube (01) den Haltebügel (02) befestigen. Das Netzteil (03) auf den Haltebügel stellen. Alles mit den Schrauben (04) und der Winkelkonsole (05) befestigen.

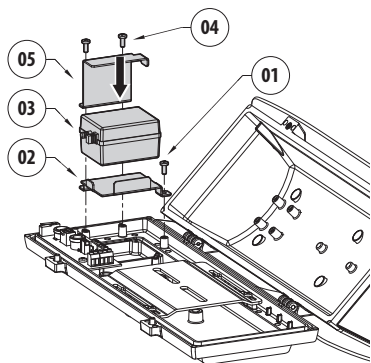


Abb. 10

Die mehrpolige Kupplungsbuchse mit dem entsprechenden Stecker verbinden. (J7, 6.3 Beschreibung der Karte, Seite 8).

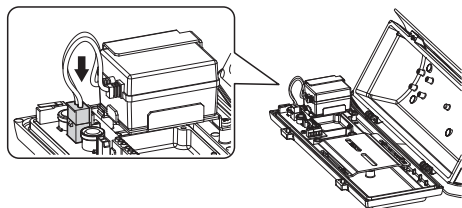


Abb. 11

## 7.3 Lüfter

### 7.3.1 Installation des Lüfters



**Nicht anwendbar in den Ausführungen mit Doppelfilter und Scheibenwischer für den Luftaustausch.**



**Wenn der Schaltkreis gespeist wird, muß auf Versorgungsspannungswert geachtet werden. Verwenden Sie das für den Einzelfall geeignete Netzgerät.**



**Der Lüfter ist nach der Anleitung einzubauen, damit die Luft im Gehäuseinnern richtig zirkulieren kann.**

Das Gehäuse nach der Erläuterung im zugehörigen Kapitel öffnen (6.1 Öffnung des Schutzgehäuse, Seite 7).

Benutzen Sie die mitgelieferten Schrauben und die winkelförmige Bügelhalterung zur Befestigung des Lüfters.

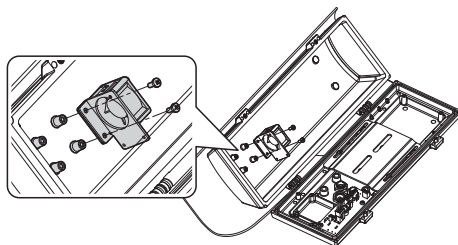


Abb. 12

Die mehrpolige Kupplungsbuchse mit dem entsprechenden Stecker verbinden. (J8, 6.3 Beschreibung der Karte, Seite 8).

## 8 Anleitung für den normalen Betrieb



**Der Scheibenwischer ist bei Aussentemperaturen unter 0°C oder bei Frost nicht zu betätigen.**

## 9 Reinigung

### 9.1 Reinigung des Fensters und der Kunststoffteile



**Zu vermeiden sind Äthylalkohol, Lösungsmittel, hydrierte Kohlenwasserstoffe, starke Säuren und alkalische Lösungen. Diese Produkte können die behandelte Oberfläche beschädigen.**

Es wird empfohlen, ein weiches Tuch und neutrale mit Wasser verdünnte Seife oder ein spezifisches Reinigungsmittel für Brillengläser zu verwenden.

## 10 Informationen bezüglich Entsorgung und Recycling

Die EU-Richtlinie 2012/19/EU über Elektro- und Elektronik-Altgeräte (WEEE) verpflichtet, dass diese Geräte nicht zusammenn mit festen Haushaltsabfällen entsorgt werden sollten. Diese besondere Abfällen müssen separat gesammelt werden, um den Rückgewinnungsstrom und das Recycling der darin enthaltenen Materiale zu optimieren, sowie zur Minderung der Einwirkung auf die menschliche Gesundheit und Umwelt aufgrund des Vorhandenseins von potentiell gefährlichen Stoffen.



**Das Symbol des gekreuzten Mullbehälters ist auf allen Produkten markiert, um sich daran zu erinnern.**

Die Abfälle dürfen an die angemessenen Müllsammelstellen gebracht werden. Andernfalls darf man es kostenlos an den Vertragshändler auch bringen, bei dem das Gerät gekauft wurde. Das kann im Moment der Einkauf von neuen gleichartigen Produkten passieren oder auch ohne Verpflichtung einen neuen Kauf zu tätigen, falls die Größe der Ausrüstung kleiner als 25cm beträgt.

Mehr Informationen über die korrekte Entsorgung dieser Geräte erhalten Sie bei der entsprechenden Behörde.

# 11 Technische Daten

## 11.1 Allgemeines

Aus Aluminium

Sonnenschutzdach aus ABS

Pulverlackierung mit Epoxydpolyester, Farbe RAL9002

Externe Schrauben aus rostfreiem Stahl

## 11.2 Mechanik

Innere Nutzabmessungen (WxH): 100x70mm

Innere Nutzlänge (mit oder ohne Zubehör): 250mm

Kabelverschraubungen: 3xM16

Fenster Extraklarglas

- Abmessungen (WxH): 118x75mm

Einheitsgewicht: 3kg

## 11.3 Elektrik

Versorgungsspannung/Stromaufnahme (leere Version):

- Von 12Vdc bis zu 24Vdc, 1A max
- Von 12Vac bis zu 24Vac, 1A max, 50/60Hz
- Von 120Vac bis zu 230Vac, 400mA max, 50/60Hz

Versorgungsspannung/Stromaufnahme (Ausführung mit Heizung, Ton 15°C±3°C, Toff 22°C±3°C):

- Von 12Vdc bis zu 24Vdc, 3A max
- Von 12Vac bis zu 24Vac, 3A max, 50/60Hz
- Von 120Vac bis zu 230Vac, 400mA max, 50/60Hz

Versorgungsspannung/Stromaufnahme (Ausführung mit Lüfter im Dauerbetrieb für Heizungshilfe):

- 12Vdc, 400mA max
- 24Vac, 200mA max, 50/60Hz

Versorgungsspannung/Stromaufnahme

- Von 100Vac bis zu 240Vac, 40mA max, 50/60Hz (mit Wide-range Netzteil)

Versorgungsspannung/Stromaufnahme (Version mit Lüfter und Thermostat mit Doppelfilter für Luftwechsel, Ton 35°C±3°C, Toff 20°C±3°C):

- 12Vdc, 400mA max
- 24Vac, 200mA max, 50/60Hz
- 120Vac, 0.37A max, 50/60Hz
- 230Vac, 0.19A max, 50/60Hz

Versorgungsspannung/Stromaufnahme (Version mit integriertem Scheibenwischer):

- 24Vac, 1.85A max, 50/60Hz
- 230Vac, 40mA max, 50/60Hz

Kameranetzteil:

- IN von 100Vac bis zu 240Vac, 50/60Hz - OUT 12Vdc, 1.25A
- IN 230Vac, 50Hz - OUT 24Vac, 50Hz, 400mA

## 11.4 Umgebung

Montage für den Innen- und Außenbereich

Betriebstemperatur (mit Heizung): von -20°C bis zu +65°C

## 11.5 Zertifizierungen

Elektrische Sicherheit (CE): EN60950-1, IEC60950-1

Elektromagnetische Verträglichkeit (CE): EN50130-4, EN61000-6-3, EN55032 Klasse B, FCC Part. 15 Klasse B, ICES-003 Klasse B (mit Scheibenwischer: EN61000-6-4, EN55032 Klasse A, FCC Part. 15 Klasse A, ICES-003 Klasse A)

Außeninstallation (CE): EN60950-22, IEC 60950-22

Schutzart IP (EN60529):

- IP66/IP67 (mit Kabelverschraubungen)
- IP66/IP67 (mit Halterung mit innerer Kabelführung, mit Gummidichtungsringe)
- IP55 (mit Halterung mit innerer Kabelführung)
- IP44 (mit Doppelfilter für Luftwechsel)

Schutzart IK (EN62262):

- für HOV32K1A084, HOV32K2A084: schutzart IK10
- für alle anderen Modelle: schutzart IK10 (mit Ausnahme der Frontscheibe)

Salznebelbeständig: bis 1000 Stunden (ISO9227)

UL- Zertifizierung: cULus Listed, TYPE 4X (mit Ausnahme für die Versionen mit Doppelfilter für den Luftaustausch, HOV32K1A018, HOV32K2A016, HOV32K2A017, HOV32K2A147, und der Version mit Wischer 230Vac, HOV32K1A100)

EAC-Zertifizierung

# 12 Technische Zeichnungen



Die Abmessungen der Zeichnungen sind in Millimeter angegeben.

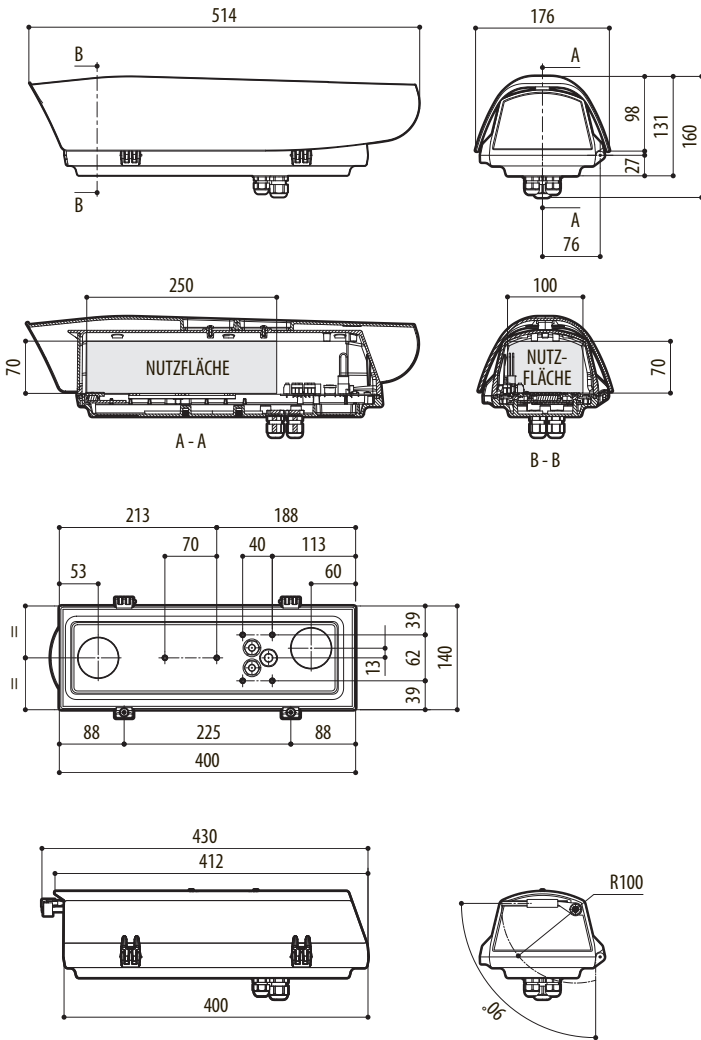


Abb. 13 HOV.





**Headquarters Italy** Videotec S.p.A.  
Via Friuli, 6 - I-36015 Schio (VI) - Italy  
Tel. +39 0445 697411 - Fax +39 0445 697414  
Email: [info@videotec.com](mailto:info@videotec.com)

**Asia Pacific** Videotec (HK) Ltd  
Flat 8, 19/F. On Dak Industrial Building, No. 2-6 Wah Sing Street  
Kwai Chung, New Territories - Hong Kong  
Tel. +852 2333 0601 - Fax +852 2311 0026  
Email: [info.hk@videotec.com](mailto:info.hk@videotec.com)

**France** Videotec France SARL  
Immeuble Le Montreal, 19bis Avenue du Québec, ZA de Courtaboeuf  
91140 Villebon sur Yvette - France  
Tel. +33 1 60491816 - Fax +33 1 69284736  
Email: [info.fr@videotec.com](mailto:info.fr@videotec.com)

**Americas** Videotec Security, Inc.  
Gateway Industrial Park, 35 Gateway Drive, Suite 100  
Plattsburgh, NY 12901 - U.S.A.  
Tel. +1 518 825 0020 - Fax +1 518 825 0022  
Email: [info.usa@videotec.com](mailto:info.usa@videotec.com)



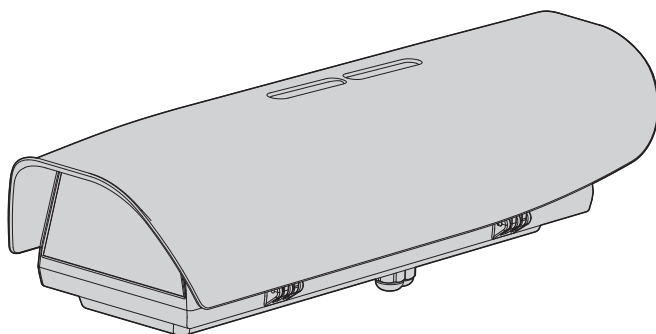
[www.videotec.com](http://www.videotec.com)

**MNVCHOV32\_1744\_DE**



# HOV

Откидной алюминиевый кожух камеры





# Комплект оборудования

<b>1 О настоящем руководстве.....</b>	<b>4</b>
1.1 Типографские условные обозначения.....	4
<b>2 Примечания в отношении авторского права и информация о торговых марках .....</b>	<b>4</b>
<b>3 Правила техники безопасности .....</b>	<b>4</b>
<b>4 Обозначение.....</b>	<b>5</b>
4.1 Описание и обозначение типа устройства .....	5
4.2 Маркировка изделия .....	5
<b>5 Подготовка устройства к использованию .....</b>	<b>6</b>
5.1 Распаковка .....	6
5.2 Комплект оборудования .....	6
5.3 Безопасная утилизация упаковочных материалов.....	6
5.4 Подготовительные работы перед установкой .....	6
5.4.1 Установка кронштейна.....	6
<b>6 Монтаж .....</b>	<b>7</b>
6.1 Как открыть кожух.....	7
6.2 Установка камеры.....	7
6.3 Описание платы.....	8
6.4 Подключение линии питания .....	8
6.5 Установка модели с двойным фильтром для воздухообмена.....	9
6.6 Установка модели со стеклоочистителем .....	9
6.7 Пакет с влагопоглотителем .....	9
<b>7 Комплектующие.....</b>	<b>10</b>
7.1 Нагреватель.....	10
7.1.1 Установка нагревателя.....	10
7.2 Питание камеры .....	10
7.2.1 Установка источника питания камеры .....	10
7.3 Вентилятор.....	11
7.3.1 Установка вентилятора .....	11
<b>8 Инструкции по работе в нормальном режиме .....</b>	<b>12</b>
<b>9 Очистка .....</b>	<b>12</b>
9.1 Чистка окна и пластмассовых деталей .....	12
<b>10 Информация об утилизации и переработке.....</b>	<b>12</b>
<b>11 Технические характеристики .....</b>	<b>13</b>
11.1 Общие сведения .....	13
11.2 Механические характеристики .....	13
11.3 Электрические характеристики .....	13
11.4 Окружающая среда .....	13
11.5 Сертификаты .....	13
<b>12 Технические чертежи .....</b>	<b>14</b>

# 1 О настоящем руководстве

Внимательно ознакомьтесь со всей документацией, входящей в комплект поставки, перед тем как приступить к установке и эксплуатации данного оборудования. Всегда держите руководство под рукой, чтобы им можно было воспользоваться в будущем.

## 1.1 Типографские условные обозначения



### ОПАСНОСТЬ!

**Высокий уровень опасности.**  
Риск поражения электрическим током. При отсутствии иных указаний отключите питание устройства, перед тем как приступить к выполнению любой операции.



### ПРЕДУПРЕЖДЕНИЕ!

**Средний уровень опасности.**  
Данная операция крайне важна для обеспечения надлежащего функционирования системы. Внимательно ознакомьтесь с описанием процедуры и выполните ее в соответствии с приведенными указаниями.



### INFO

**Описание характеристик системы.**  
Рекомендуем внимательно ознакомиться с содержанием этого раздела, для того чтобы понять следующие этапы.

## 2 Примечания в отношении авторского права и информация о торговых марках

Названия устройств или компаний, упоминаемые в настоящем документе, являются торговыми марками или зарегистрированными торговыми знаками соответствующих компаний.

## 3 Правила техники безопасности



**ПРЕДУПРЕЖДЕНИЕ!** Установка и обслуживание устройства должны осуществляться только специализированным персоналом.



**ПРЕДУПРЕЖДЕНИЕ!** Система электропитания, к которой подключается устройство, должна иметь автоматический двухполюсный выключатель цепи. Выключатель для узлов, работающих в условиях напряжения сети, должен иметь уровень срабатывания макс. 20А. Выключатель для узлов, работающих в условиях низкого напряжения, должен иметь уровень срабатывания макс. 6А. Этот выключатель выбирается из перечисленных в списке. Минимальное расстояние между контактами автоматического выключателя цепи должно составлять 3mm. Выключатель цепи должен иметь защиту от тока КЗ на землю (дифференциальная защита) и защиту от перегрузки по току (термомагнитная защита).

- Производитель не несет ответственности за любые повреждения, возникающие в результате неправильного использования указанного в настоящем руководстве оборудования. Помимо этого, производитель сохраняет за собой право изменять содержание руководства без предварительного уведомления. Представленная в настоящем руководстве документация прошла тщательную проверку. Однако производитель не несет ответственности за ее использование. Аналогичные условия предусмотрены в отношении любого лица или компании, привлеченных для составления и создания данного руководства.
- Перед тем, как приступить к выполнению любых операций, убедитесь в том, что источник питания устройства отключен.
- Не используйте кабели, которые кажутся изношенными или старыми.
- Никогда и ни при каких обстоятельствах не выполняйте изменений или подключений, не предусмотренных настоящим руководством. Ненадлежащее использование оборудования может привести к возникновению серьезных опасных ситуаций, угрожающих безопасности персонала и системы.
- Используйте только оригинальные запасные части. Неоригинальные запасные части могут привести к возникновению пожара, электрического разряда или другой опасной ситуации.
- Перед монтажом проверьте соответствие поставленных материалов спецификациям заказа, сверив идентификационные ярлыки (4.2 Маркировка изделия, страница 5).

- Это устройство разработано для подключения и установки на здании или подходящей конструкции на постоянной основе. Устройство следует надежно закрепить и подключить перед выполнением каких-либо работ.
- При установке устройства должны соблюдаться национальные правила.
- Категория установки (также называемая категорией перенапряжения) указывает на уровень сетевых скачков напряжения, которым подвержено оборудование. Категория зависит от места размещения оборудования и наличия каких-либо устройств защиты от скачков напряжения. Оборудование, устанавливаемое на промышленном объекте и напрямую подключаемое к магистральным линиям сети питания, относится к категории установки III. В этом случае необходимо снизить категорию перенапряжения до II. Этого можно добиться путем использования изолирующего трансформатора с заземленным экраном между первичной и вторичной обмоткой или путем установки устройств защиты от скачков напряжения (УЗСН), UL listed, на участке между фазой и нулем, а также нулем и землей. Сертифицированные устройства защиты от скачков напряжения должны обеспечивать многократное ограничение скачков напряжения и подходить для работы в следующих номинальных условиях: Тип 2 (УЗСН, постоянно подключенные к сети питания и предназначенные для установки на стороне нагрузки вспомогательного оборудования); номинальный ток разряда (In) мин. 20kA. Например, можно использовать: FERRAZ SHAWMUT, STT2240SPG-CN, STT2BL240SPG-CN с номиналом 120Vac/240Vac, (In=20kA). Максимальное расстояние между устройством и ограничителем перенапряжения составляет 5m.
- Каждое устройство, которое может быть установлено внутри изделия, должно соответствовать действующим нормам безопасности.
- Для всех подключений используйте кабели, способные выдерживать температуру минимум 75°C.
- Электрическая система оснащается выключателем питания, который можно легко найти и использовать в случае необходимости.

## 4 Обозначение

### 4.1 Описание и обозначение типа устройства

Крепкий алюминиевый кожух разработан для упрощения монтажа и технического обслуживания и гарантирует полную защиту при любых условиях окружающей среды.

Его размеры позволяют размещать разные комбинации стандартных камер с фиксированными или компактными зум-объективами.

Упрощенная установка обеспечивается за счет откидываемой крышки, которая предоставляет полный доступ к камере, объективам и всем внутренним соединениям.

Многочисленные комплектующие, например, нагреватель, источник питания для камеры, нагнетательный вентилятор и воздушный фильтр, стеклоочиститель и омыватель обеспечат соответствие системы любым условиям применения.

### 4.2 Маркировка изделия

См. ярлык на изделии.

## 5 Подготовка устройства к использованию



**Любое изменение, которое выполняется без разрешения, явным образом предоставленного производителем, аннулирует гарантию.**

### 5.1 Распаковка

При получении устройства убедитесь, что упаковка не повреждена и не имеет явных признаков падения или царапин.

В случае наличия видимых повреждений незамедлительно свяжитесь с поставщиком.

В случае возврата неисправного устройства мы рекомендуем использовать оригинальную упаковку для транспортировки.

Сохраняйте упаковку на случай, если потребуется отправить устройство на ремонт.

### 5.2 Комплект оборудования

Проверьте комплект оборудования на соответствие представленному ниже списку материалов:

- Кожух
- Оснащение для кожуха:
  - Ключ шестигранник
  - Прокладки
  - Уплотнители для кабельных муфт
  - Кабельные муфты (x3)
  - Болты и винты
- Руководство по эксплуатации
- Пакет с влагопоглотителем

### 5.3 Безопасная утилизация упаковочных материалов

Упаковочные материалы могут подвергаться переработке. Технический специалист установщика отвечает за сортировку материалов для переработки, а также за соблюдение требований законодательства, действующего в месте установки устройства.

### 5.4 Подготовительные работы перед установкой

#### 5.4.1 Установка кронштейна



**Устройство должно крепиться с помощью соответствующих приспособлений. Крепежные элементы должны гарантировать механическую герметичность и выдерживать как минимум четырехкратный вес устройства.**



## 6 Монтаж

### 6.1 Как открыть кожух

Ослабьте 2 винта сбоку и поверните крышку и верхнюю половину корпуса в направлении открывания петли.

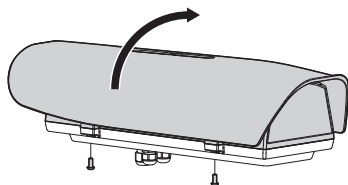


Рис. 1

**i** После завершения операций по установке и прокладке кабелей закройте устройство.

### 6.2 Установка камеры



**Питание может обеспечиваться платой, предоставляемой вместе с устройством. Убедитесь в правильности значений напряжения.**

Откройте кожух, следуя указаниям в соответствующем разделе (6.1 Как открыть кожух, страница 7).

Частично ослабьте крепежные винты (01).

Снимите внутреннюю направляющую (02), перемещая ее до тех пор, пока не совпадут отверстия с блокировочными винтами.

Закрепите камеру винтом 1/4". (03). Для правильного размещения телекамеры и объектива используйте, при необходимости, предоставленные прокладки. (04).

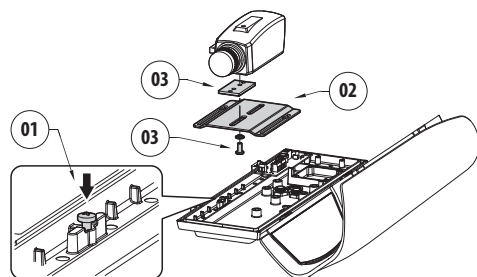


Рис. 2

Установите внутреннюю направляющую на прежнее место и затяните винты, которые ранее были ослаблены.

Снимите защитную оплетку с проводов и подключите их к клеммам (J5, 6.3 Описание платы, страница 8).

Жилы кабеля питания камеры должны удерживаться вместе с помощью стяжного хомута, расположенного вблизи клеммы. Размещайте кабели питания отдельно от кабелей сигнала.

## 6.3 Описание платы

**i** Плата может отличаться от той, что указана на рисунке.

**i** Плата, в зависимости от версии устройства, может не обладать всеми функциями.

ОПИСАНИЕ ПЛАТЫ	
Разъем	Функция
J1	Питание платы ( $V_{IN}$ ) <sup>1</sup>
J2	Вспомогательный выход ( $V_{OUT}$ ) <sup>2</sup>
J3	Питание устройства нагрева ( $V_{OUT}$ )
J4	Контакты контрольного переключателя <sup>3</sup>
J5	Питание камеры ( $V_{OUT}$ ) <sup>4</sup>
J7	Разъем питания/перемычка <sup>5</sup>
J8	Питание вентилятора ( $V_{OUT}$ )
SW1	Контрольный переключатель <sup>3</sup>

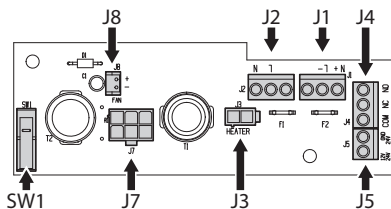
**Табл. 1** <sup>1</sup> От 100Vас до 240Vас, 24Vас о 12Vdc.

<sup>2</sup> То же напряжение, что подается на клемму питания платы (J1).

<sup>3</sup> Дополнительно.

<sup>4</sup> Возможны различные альтернативы, в зависимости от версии.  $V_{OUT} = 12Vdc$  о  $V_{OUT} = 24Vас$ , в зависимости от типа установленного блока питания (7.2.1 Установка источника питания камеры, страница 10).  $V_{OUT} = V_{IN}$ , только для кожухов, работающих при 12Vdc или 24Vас, с установленной перемычкой (J7).

<sup>5</sup> Порядок установки блока питания 12Vdc или 24Vас описывается в соответствующей главе (7.2.1 Установка источника питания камеры, страница 10).



**Рис. 3**

**i** Номинальное сечение используемых кабелей: от 0.2mm<sup>2</sup> до 2.5mm<sup>2</sup>.

## 6.4 Подключение линии питания

**!** **ПРЕДУПРЕЖДЕНИЕ!** Тип используемого кабеля должен быть совместимым с предполагаемым видом использования. Соблюдайте действующие в вашей стране правила, относящиеся к электрическим установкам.

**!** Подключите защитное заземление к соответствующей клемме разъема J1.

**!** Кабель заземления должен быть длиннее двух других кабелей примерно на 10mm, чтобы предотвратить его случайное отсоединение при натягивании.

Вставьте кабели в корпус через кабельные муфты. Кабельные муфты подходят к проводам, имеющим диаметр от 5mm до 10mm. Часть кабеля внутри кожура должна иметь достаточную длину и гарантировать подключение. Затяните соответственно кабельные муфты.

Снимите защитную оплетку с проводов и подключите их к клеммам (J1, 6.3 Описание платы, страница 8).

## 6.5 Установка модели с двойным фильтром для воздухообмена

**i** Во время установки обратите внимание на направление ребер впускного воздушного фильтра.

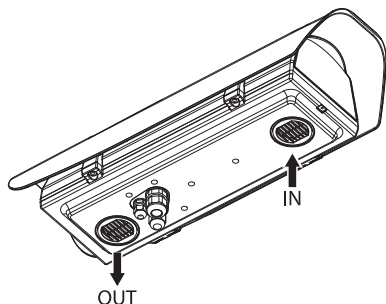


Рис. 4

В зависимости от угла наклона кожуха, ребра фильтра должны располагаться так, чтобы в случае дождя вода не попадала внутрь:

В целях обеспечения соответствующей степени защиты от непогоды установите кожух на кронштейн, соблюдая пределы наклона, указанные на рисунке.

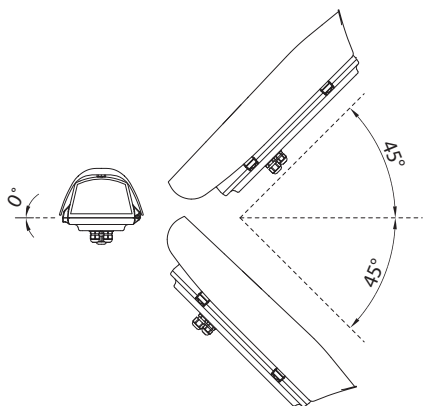


Рис. 5 Максимальный наклон поперечной оси: 0°. Максимальный наклон продольной оси: ±45°.

## 6.6 Установка модели со стеклоочистителем

Откройте кожух, следуя указаниям в соответствующем разделе (6.1 Как открыть кожух, страница 7).

Определите клемму платы стеклоочистителя.

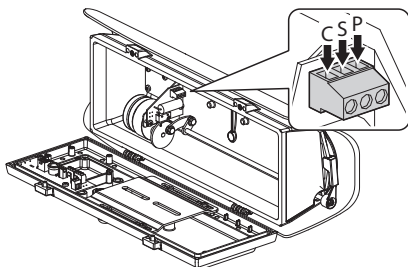


Рис. 6

Подключите плату стеклоочистителя к сети питания, как показано на рисунке.

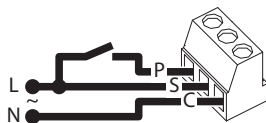


Рис. 7

**i** Номинальное сечение используемых кабелей: от 0.2mm<sup>2</sup> до 2.5mm<sup>2</sup>.

Нажатие на кнопку активирует стеклоочиститель. При отпускании кнопки щетка стеклоочистителя возвращается в исходное положение.

Если есть приемник с функцией управления стеклоочистителем, подключите клеммы SW, PER и COM, соответственно, к выводам S, P и C платы.

## 6.7 Пакет с влагопоглотителем

Достаньте пакетик с влагопоглотителем из упаковки и разместите его в устройстве.

## 7 Комплектующие



Дополнительная информация по конфигурации и использованию представлена в соответствующем руководстве.

### 7.1 Нагреватель

#### 7.1.1 Установка нагревателя

Откройте кожух, следуя указаниям в соответствующем разделе (6.1 Как открыть кожух, страница 7).

Закрепите комплект нагревателя в предусмотренных местах на корпусе кожуха.

Проводной нагревательный элемент (01) должен быть установлен между 2 рассеивателями (02) перед фиксацией; это необходимо для обеспечения контакта и правильной передачи тепла.

Пропустите кабель нагревателя под направляющей для крепления камеры.

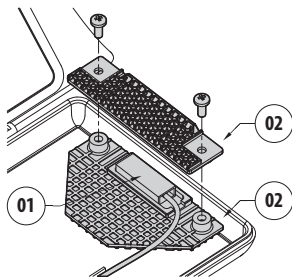


Рис. 8

По завершении монтажа подключите кабель к клемме (разъем питания, 6.3 Описание платы, страница 8).

Установите внутреннюю направляющую на прежнее место и затяните винты, которые ранее были ослаблены.

### 7.2 Питание камеры

#### 7.2.1 Установка источника питания камеры



Не используется в кожухах, оснащенных стеклоочистителем.



Обратите внимание на значение используемого напряжения при подаче напряжения на контур. В зависимости от условий правильно выберите комплект источника питания.

Используемые блоки питания:

- IN от 100Vac до 240Vac, 50/60Hz - OUT 12Vdc, 1.25A
- IN 230Vac, 50Hz - OUT 24Vac, 50Hz, 400mA

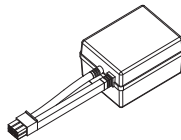


Рис. 9 Питание камеры.

Откройте кожух, следуя указаниям в соответствующем разделе (6.1 Как открыть кожух, страница 7).

С помощью винта (01) закрепите опорный кронштейн (02). Расположите источник питания (03) на опорном кронштейне. Прикрепите все с помощью винтов (04) и кронштейна углового крепления (05).

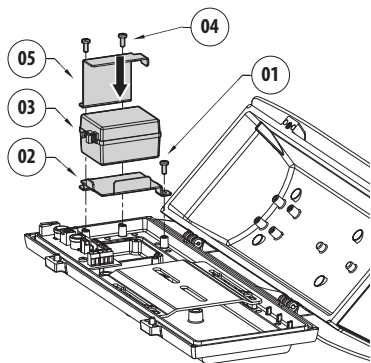


Рис. 10

Подсоедините многополюсный гнездовой разъем к соответствующему штыревому разъему (J7, 6.3 Описание платы, страница 8).

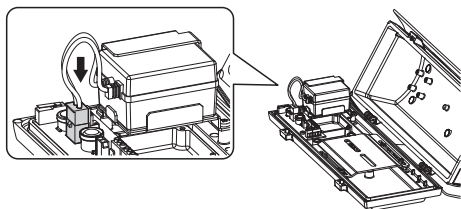


Рис. 11

## 7.3 Вентилятор

### 7.3.1 Установка вентилятора



Не используется в моделях с двойным фильтром для воздухообмена и стеклоочистителем.



Обратите внимание на значение используемого напряжения при подаче напряжения на контур. В зависимости от условий правильно выберите комплект источника питания.



Вентилятор должен быть установлен, как указано в инструкции, чтобы гарантировать правильную циркуляцию воздуха внутри кожуха.

Откройте кожух, следуя указаниям в соответствующем разделе (6.1 Как открыть кожух, страница 7).

Прикрепите вентилятор с помощью предоставленного углового кронштейна, используя винты.

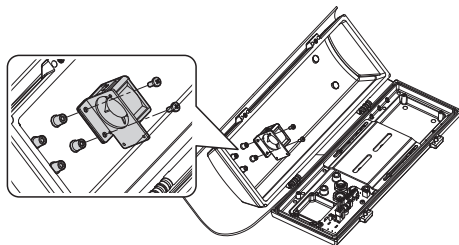


Рис. 12

Подсоедините многополюсный гнездовой разъем к соответствующему штыревому разъему (J8, 6.3 Описание платы, страница 8).

## 8 Инструкции по работе в нормальном режиме



**Не используйте стеклоочиститель при температуре ниже 0°C или при обледенении.**

## 9 Очистка

### 9.1 Чистка окна и пластмассовых деталей



**Не используйте этиловый спирт, растворители, галогенированные углеводороды, сильные кислоты и щелочи. Подобные вещества могут необратимо повредить поверхность устройства.**

Мы рекомендуем использовать мягкую ткань с нейтральным мылом, разведенным в воде, или специальные вещества для очистки стеклянных объективов.

## 10 Информация об утилизации и переработке

Европейская директива 2012/19/EC Об Отходах Электрического и Электронного оборудования (RAEE) предписывает, что данные устройства не следует утилизировать вместе с твердыми бытовыми отходами; их сбор осуществляется отдельно для оптимизации потока их утилизации и переработки содержащихся в них материалов, а также снижения воздействия на здоровье людей и окружающую среду в связи с присутствием потенциально опасных веществ.



**Значок с изображением зачеркнутого мусорного контейнера присутствует на всей продукции для напоминания об указанном требовании.**

Отходы могут доставляться в соответствующие центры по сбору отходов или бесплатно передаваться дистрибьютору, у которого было куплено оборудование, в момент покупки новой аналогичной продукции или без обязательства совершить новую покупку в случае оборудования, чей размер не превышает 25см.

Для получения более подробной информации о надлежащей утилизации данных устройств вы можете обратиться в уполномоченную государственную организацию.

# 11 Технические характеристики

## 11.1 Общие сведения

Модель без дополнительного оборудования

Солнечный козырек из ABS пластика

Эпоксиполиэстеровое порошковое покрытие, цвет RAL9002

Наружные винты из нержавеющей стали

## 11.2 Механические характеристики

Пространство внутри корпуса (ШхВ): 100x70mm

Полезная внутренняя длина (с комплектующими или без них): 250mm

Кабельные муфты: 3xM16

Стеклопанель дополнительная ясная

- Размеры (ШхВ): 118x75mm

Вес устройства: 3kg

## 11.3 Электрические характеристики

Напряжение сети питания/Потребляемый ток (модель без дополнительных устройств):

- От 12Vdc до 24Vdc, 1A max
- От 12Vac до 24Vac, 1A max, 50/60Hz
- От 120Vac до 230Vac, 400mA max, 50/60Hz

Напряжение сети питания/Потребляемый ток (модель с нагревателем, Top 15°C±3°C, Toff 22°C±3°C):

- От 12Vdc до 24Vdc, 3A max
- От 12Vac до 24Vac, 3A max, 50/60Hz
- От 120Vac до 230Vac, 400mA max, 50/60Hz

Напряжение сети питания/Потребляемый ток (модель с нагревателем и вспомогательным вентилятором непрерывного цикла):

- 12Vdc, 400mA max
- 24Vac, 200mA max, 50/60Hz

Напряжение сети питания/Потребляемый ток

- От 100Vac до 240Vac, 40mA max, 50/60Hz (с источником питания с широким диапазоном напряжения)

Напряжение сети питания/Потребляемый ток (модель с нагнетательным вентилятором и термостатом для моделей с двойным фильтром для воздухообмена, Top 35°C±3°C, Toff 20°C±3°C):

- 12Vdc, 400mA max
- 24Vac, 200mA max, 50/60Hz
- 120Vac, 0.37A max, 50/60Hz
- 230Vac, 0.19A max, 50/60Hz

Напряжение сети питания/Потребляемый ток (модель со встроенным стеклоочистителем):

- 24Vac, 1.85A max, 50/60Hz
- 230Vac, 40mA max, 50/60Hz

Питание камеры:

- IN от 100Vac до 240Vac, 50/60Hz - OUT 12Vdc, 1.25A
- IN 230Vac, 50Hz - OUT 24Vac, 50Hz, 400mA

## 11.4 Окружающая среда

Для установки внутри помещений и наружной установки

Рабочая температура (с нагревателем): от -20°C до +65°C

## 11.5 Сертификаты

Электробезопасность (CE): EN60950-1, IEC60950-1

Электромагнитная совместимость (CE): EN50130-4, EN61000-6-3, EN55032 Класс В, FCC Part. 15 Класс В, ICES-003 Класс В (со стеклоочистителем: EN61000-6-4, EN55032 Класс А, FCC Part. 15 Класс А, ICES-003 Класс А)

Наружная установка (CE): EN60950-22, IEC 60950-22

Степень защиты IP (EN60529):

- IP66/IP67 (Настенный кронштейн для поворотных устройств)
- IP66/IP67 (с кронштейном с внутренним кабельным каналом, с уплотнительными кольцами)
- IP55 (с кронштейном с внутренним кабельным каналом)
- IP44 (с двойным фильтром для воздухообмена)

Степень защиты IK (EN62262):

- для NOV32K1A084, NOV32K2A084: степень защиты IK10
- для всех других моделей: степень защиты IK10 (за исключением переднего стекла)

Защита от солевого тумана: до 1000 часов (ISO9227)

Сертификат UL: cULus Listed, TYPE 4X (за исключением моделей с двойным фильтром для воздухообмена NOV32K1A018, NOV32K2A016, NOV32K2A017, NOV32K2A147 и модели со стеклоочистителем NOV32K1A100 напряжением 230Vac)

Сертификат EAC

# 12 Технические чертежи

**i** Размеры на чертежах указаны в миллиметрах.

RU - Русский - Руководство по эксплуатации

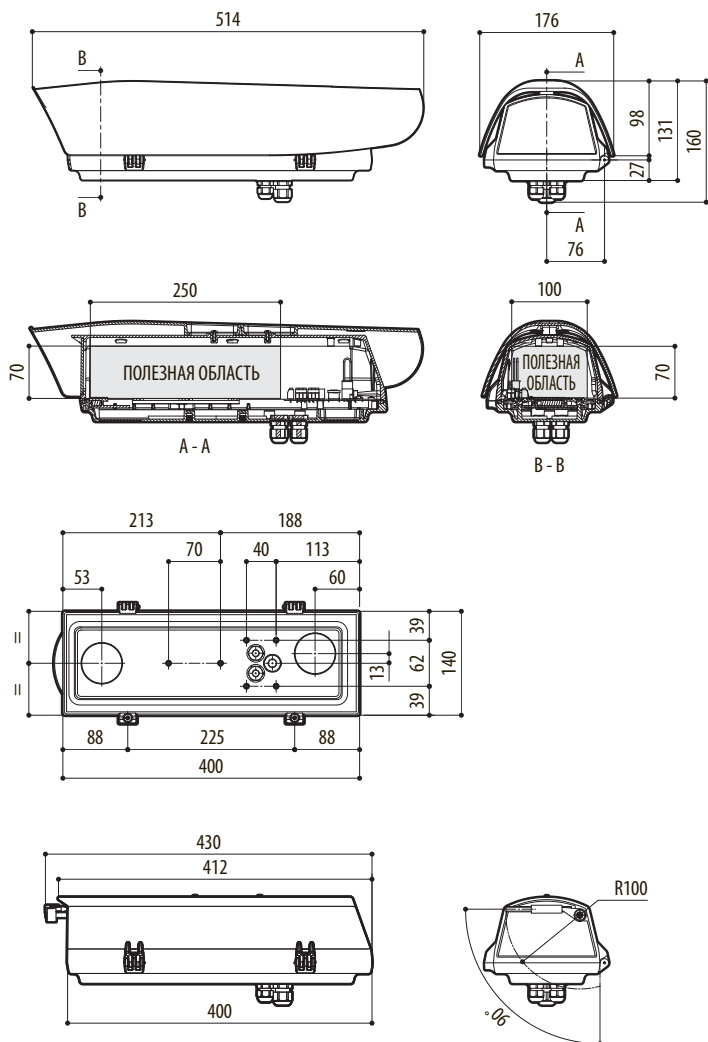


Рис. 13 HOV.





**Headquarters Italy** Videotec S.p.A.  
Via Friuli, 6 - I-36015 Schio (VI) - Italy  
Tel. +39 0445 697411 - Fax +39 0445 697414  
Email: [info@videotec.com](mailto:info@videotec.com)

**Asia Pacific** Videotec (HK) Ltd  
Flat 8, 19/F. On Dak Industrial Building, No. 2-6 Wah Sing Street  
Kwai Chung, New Territories - Hong Kong  
Tel. +852 2333 0601 - Fax +852 2311 0026  
Email: [info.hk@videotec.com](mailto:info.hk@videotec.com)

**France** Videotec France SARL  
Immeuble Le Montreal, 19bis Avenue du Québec, ZA de Courtaboeuf  
91140 Villebon sur Yvette - France  
Tel. +33 1 60491816 - Fax +33 1 69284736  
Email: [info.fr@videotec.com](mailto:info.fr@videotec.com)

**Americas** Videotec Security, Inc.  
Gateway Industrial Park, 35 Gateway Drive, Suite 100  
Plattsburgh, NY 12901 - U.S.A.  
Tel. +1 518 825 0020 - Fax +1 518 825 0022  
Email: [info.usa@videotec.com](mailto:info.usa@videotec.com)



[www.videotec.com](http://www.videotec.com)

**MNVCHOV32\_1744\_RU**



**Headquarters Italy** Videotec S.p.A.

Via Friuli, 6 - I-36015 Schio (VI) - Italy  
Tel. +39 0445 697411 - Fax +39 0445 697414  
Email: info@videotec.com

**Asia Pacific** Videotec (HK) Ltd

Flat 8, 19/F. On Dak Industrial Building, No. 2-6 Wah Sing Street  
Kwai Chung, New Territories - Hong Kong  
Tel. +852 2333 0601 - Fax +852 2311 0026  
Email: info.hk@videotec.com

**France** Videotec France SARL

Immeuble Le Montreal, 19bis Avenue du Québec, ZA de Courtaboeuf  
91140 Villebon sur Yvette - France  
Tel. +33 1 60491816 - Fax +33 1 69284736  
Email: info.fr@videotec.com

**Americas** Videotec Security, Inc.

Gateway Industrial Park, 35 Gateway Drive, Suite 100  
Plattsburgh, NY 12901 - U.S.A.  
Tel. +1 518 825 0020 - Fax +1 518 825 0022  
Email: info.usa@videotec.com - www.videotec.com



www.videotec.com

**MNVCHOV32\_1744**