

## DS-2CD2H25FWD-IZS

### 2 MP IR Vari-focal Turret Network Camera



#### Key Features

- 1/2.8" Progressive Scan CMOS
- 1920 × 1080 @30fps
- Powered by Darkfighter
- H.265, H.265+
- 120dB WDR
- IP67, IK10
- IR range: up to 30 m
- BLC/3D DNR/ROI/HLC
- Smart encoding: Support low bit rate, low latency
- 4 behavior analyses and face detection
- Color: 0.005 Lux @ (F1.2, AGC ON), 0 Lux with IR  
Color: 0.0068 Lux @ (F1.4, AGC ON), 0 Lux with IR



## Specifications

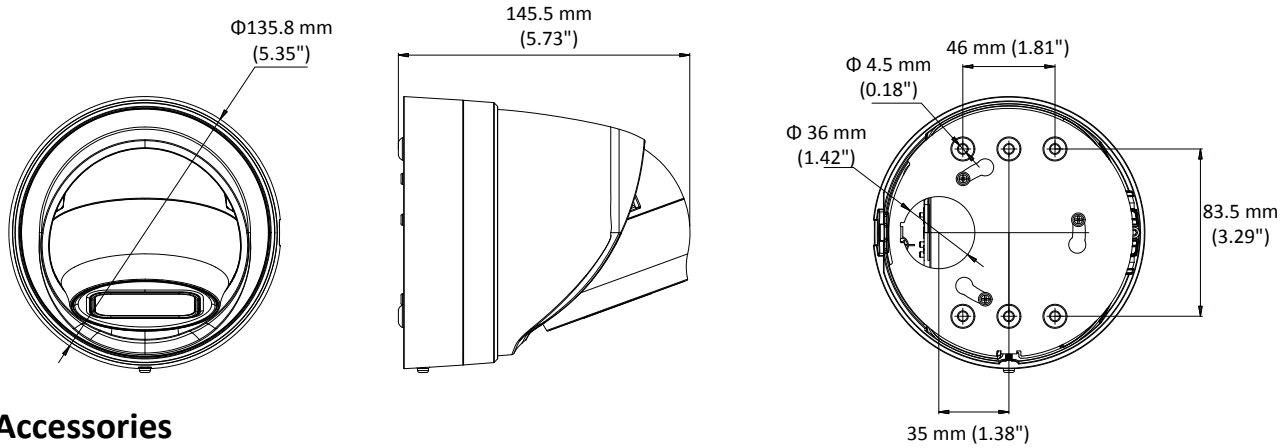
<b>Camera</b>	
Image Sensor	1/2.8" Progressive Scan CMOS
Min. Illumination	Color: 0.005 Lux @ (F1.2, AGC ON), 0 Lux with IR Color: 0.0068 Lux @ (F1.4, AGC ON), 0 Lux with IR
Shutter Speed	1/3 s to 1/100,000 s
Slow Shutter	Yes
Day & Night	IR Cut Filter
Digital Noise Reduction	3D DNR
WDR	120dB
3-Axis Adjustment	Pan: 0° to 355°, tilt: 0° to 75°, rotate: 0° to 360°
<b>Lens</b>	
Focal length	2.8 to 12 mm
Aperture	F1.4
Focus	Auto
FOV	Horizontal field of view: 105° to 35° Vertical field of view: 56° to 20° Diagonal field of view: 126° to 40.5°
Lens Mount	Φ14
<b>IR</b>	
IR Range	Up to 30 m
Wavelength	850nm
<b>Compression Standard</b>	
Video Compression	Main stream: H.265/H.264 Sub stream: H.265/H.264/MJPEG Third stream: H.265/H.264
H.264 Type	Main Profile/High Profile
H.264+	Main stream supports
H.265 Type	Main Profile
H.265+	Main stream supports
Video Bit Rate	32 Kbps to 16 Mbps
Audio Compression	G.711/G.722.1/G.726/MP2L2/PCM
Audio Bit Rate	64Kbps(G.711)/16Kbps(G.722.1)/16Kbps(G.726)/32-192Kbps(MP2L2)
<b>Smart Feature-set</b>	
Behavior Analysis	Line crossing detection, intrusion detection, unattended baggage detection, object removal detection
Exception Detection	Scene change detection
Face Detection	Yes
Region of Interest	Support 1 fixed region for main stream and sub stream
<b>Image</b>	
Max. Resolution	1920 × 1080
Main Stream	50Hz: 25fps (1920 × 1080, 1280 × 960, 1280×720) 60Hz: 30fps (1920 × 1080, 1280 × 960, 1280×720)
Sub Stream	50Hz: 25fps (640 × 480, 640 × 360, 320 × 240) 60Hz: 30fps (640 × 480, 640 × 360, 320 × 240)

Third Stream	50Hz: 25fps (1920 × 1080, 1280×720, 640 × 360, 352 × 288) 60Hz: 30fps (1920 × 1080, 1280×720, 640 × 360, 352 × 240)
Image Enhancement	BLC/3D DNR/HLC
Image Setting	Rotate mode, saturation, brightness, contrast, sharpness adjustable by client software or web browser
Day/Night Switch	Day/Night/Auto/Schedule/Triggered by Alarm In
<b>Network</b>	
Network Storage	Support Micro SD/SDHC/SDXC card (128G), local storage and NAS (NFS,SMB/CIFS), ANR
Alarm Trigger	Motion detection, video tampering, network disconnected, IP address conflict, illegal login, HDD full, HDD error, Alarm input, Alarm output
Protocols	TCP/IP, ICMP, HTTP, HTTPS, FTP, DHCP, DNS, DDNS, RTP, RTSP, RTCP, PPPoE, NTP, UPnP, SMTP, SNMP, IGMP, 802.1X, QoS, IPv6, Bonjour
General Function	One-key reset, anti-flicker, three streams, heartbeat, password protection, privacy mask, watermark, IP address filter
Firmware Version	V5.5.52
API	ONVIF (PROFILE S, PROFILE G), ISAPI
Simultaneous Live View	Up to 6 channels
User/Host	Up to 32 users 3 levels: Administrator, Operator and User
Client	iVMS-4200, Hik-Connect, iVMS-5200, iVMS-4500
Web Browser	IE8+, Chrome 31.0-44, Firefox 30.0-51, Safari 8.0+
<b>Interface</b>	
Audio	1 input (line in, 3.5 mm), 1 output (3.5 mm), mono sound
Communication Interface	1 RJ45 10M/100M self-adaptive Ethernet port
Alarm	1 input, 1 output (max. 12 VDC, 30 mA)
Video Output	No
On-board storage	Built-in Micro SD/SDHC/SDXC slot, up to 128 GB
SVC	Support H.264 and H.265 encoding
Reset Button	Yes
<b>Audio</b>	
Environment Noise Filtering	Yes
Audio Sampling Rate	8kHz/16kHz/32kHz/44.1kHz/48kHz
<b>General</b>	
Operating Conditions	-30 °C to +60 °C (-22 °F to +140 °F), Humidity 95% or less (non-condensing)
Power Supply	12 VDC ± 25%, PoE (802.3af) Terminal block for DC input
Power Consumption and Current	12 VDC, 0.85A, max. 10W PoE (802.3af, 36V to 57V), 0.31 A to 0.20 A, max. 11.5W
Protection Level	IP67, IK10
Material	Metal
Dimensions	Φ 135.8 mm × 145.5 mm (Φ 5.35" × 5.73")
Weight	With Package: Approx. 1220 g (2.69 lb.) Camera: Approx. 1060 g (2.34 lb.)

## Available Model:

DS-2CD2H25FWD-IZS

## Dimensions



## Accessories



Distrib DS-1473ZJ-135  
Wall Mount

DS-1471ZJ-135  
Pendant Mount

DS-1281ZJ-DM23  
Inclined Ceiling  
Mount

DS-1475ZJ-SUS  
Vertical Pole  
Mount

DS-1476ZJ-SUS  
Corner Mount

DS-1473ZJ-135B  
Wall Mount  
with Junction Box

# HIKVISION®

## Headquarters

No.555 Qianmo Road, Binjiang District,  
Hangzhou 310051, China  
T +86-571-8807-5998  
overseasbusiness@hikvision.com

Hikvision USA  
T +1-909-895-0400  
sales.usa@hikvision.com

Hikvision Australia  
T +61-2-8599-4233  
salesau@hikvision.com

Hikvision India  
T +91-22-28469900  
sales@pramahikvision.com

Hikvision Canada  
T +1-866-200-6690  
sales.canada@hikvision.com

Hikvision Thailand  
T +662-275-9949  
sales.thailand@hikvision.com

Hikvision Europe  
T +31-23-5542770  
sales.eu@hikvision.com

Hikvision Italy  
T +39-0438-6902  
info.it@hikvision.com

Hikvision Brazil  
T +55 11 3318-0050  
Latam.support@hikvision.com

Hikvision Turkey  
T +90 [216]521 7070- 7074  
sales.tr@hikvision.com

Hikvision Malaysia  
T +601-7652-2413  
sales.my@hikvision.com

Hikvision UK & Ireland  
T +01628-902140  
sales.uk@hikvision.com

Hikvision South Africa  
Tel: +27 [10] 0351172  
sale.africa@hikvision.com

Hikvision France  
T +33[0]1-85-330-450  
info.fr@hikvision.com

Hikvision Kazakhstan  
T +7-727-9730667  
nikia.panfilov@hikvision.ru

Hikvision Vietnam  
T +84-974270888  
sales.vt@hikvision.com

Hikvision UAE  
T +971-4-4432090  
salesme@hikvision.com

Hikvision Singapore  
T +65-6684-4718  
sg@hikvision.com

Hikvision Spain  
T +34-91-737-16-55  
info.es@hikvision.com

Hikvision Tashkent  
T +99-87-1238-9438  
uzb@hikvision.ru

Hikvision Hong Kong  
T +852-2151-1761  
info.hk@hikvision.com

Hikvision Russia  
T +7-495-669-67-99  
saleru@hikvision.com

Hikvision Korea  
T +82-[0]31-731-8817  
sales.korea@hikvision.com

Hikvision Poland  
T +48-22-460-01-50  
info.pl@hikvision.com

Hikvision Indonesia  
T +62-21-2933759  
Sales.Indonesia@hikvision.com

Hikvision Colombia  
sales.colombia@hikvision.com